

Mia Cucina

KITCHENS BY TOWNGAS

Mia CucinaHF177



Instructions of Household Refrigerator

Product Features	1
Component Description	2
Safety Precautions	3-5
Location Environment	6
Preparation before Use	7-8
Introduction of Functions	9-12
Refrigerator Chamber	13-16
Precautions for Freezing Food	17
Defrosting and Cleaning	18
Outage, FAQ and After-sales Service	19-21
Technical Data and Packing List	22
Warranty Instructions	23

(For refrigerator appearance, color and design, please refer to available products)

Before use, please read the Instructions carefully.
Please keep it properly for future reference.

Product Features

◆ Embedded type design

The refrigerator can be embedded into the cabinet, being clean and beautiful

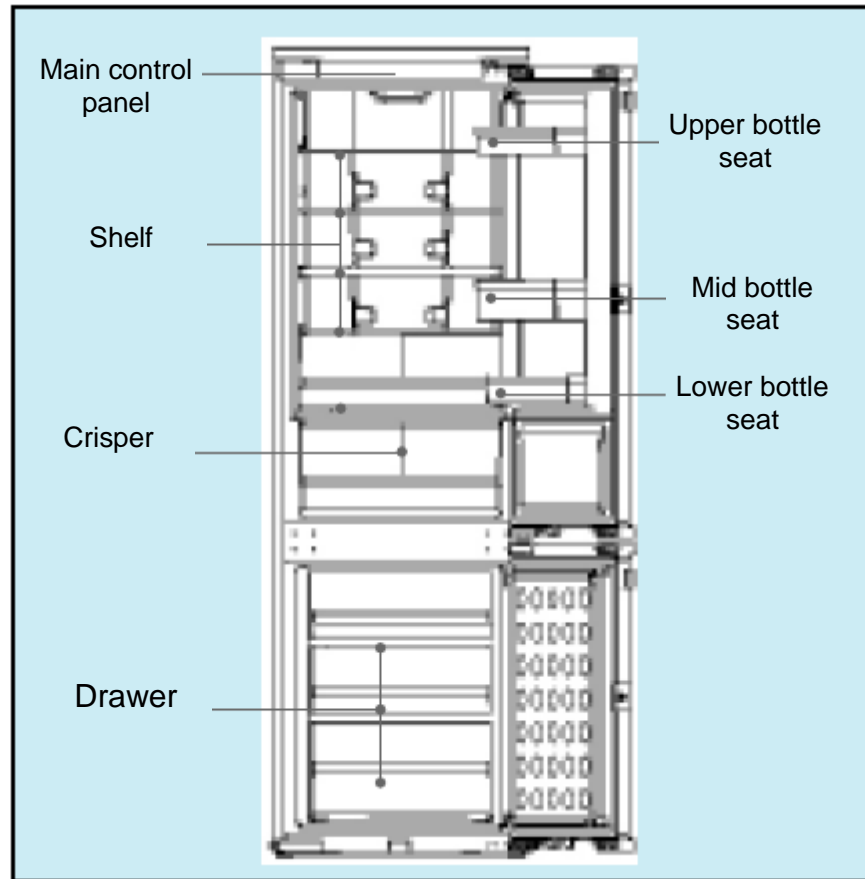
◆ Extra large refrigerator chamber for modern life needs

With extra large refrigerator chamber, storage of mass fruits, vegetables and others is available, providing convenience for modern life.

◆ Crisper design

With moisture and fresh preservation function, storage of vegetables, fruits and others is available for meeting modern life needs.

Component Description






(this figure shows BCFE625AW)

Safety sign

Dear customers,

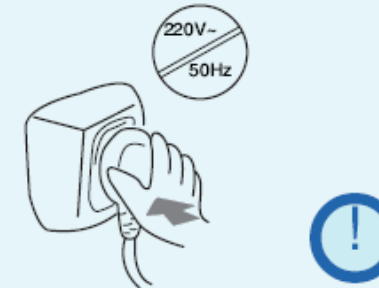
Thank you for selecting and using our Mia Cucina product. In order to guide you to better read the Instructions and use the product, we explain the signs and symbols as indicated in the Instructions as below:

 <p>Prohibition</p>	<p>Any content with this sign means the action that must be prohibited, otherwise, any damage or loss may be caused to the product or user's personal safety may be endangered.</p>
 <p>Warning</p>	<p>Any content with this sign relates to safe use of the product and user's personal safety. Therefore, operation shall be in strict accordance with requirements. Otherwise, any damage or loss may be caused to the product or user's personal safety may be endangered.</p>
 <p>Caution</p>	<p>Any content with this sign is the part to which the user must pay more attention, otherwise, product damage or loss and other losses may be caused due to improper operation.</p>

Safety Precautions (Electrical)

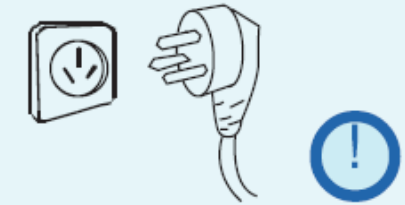
Apply AC 220V/50Hz power

Various failures or faults such as failure in startup, burnout of temperature controller or compressor, abnormal operating sound of compressor may be caused, in case of larger voltage fluctuation range (exceeding 187 – 242V), and in such case, a 750W or above automatic voltage regulator must be installed.



A separate, special power socket is mandatory and reliable grounding is required.

Power cord of the refrigerator is provided with a three-pin (grounding) plug, conforming to the standard three-pin (grounding) plug. In no event, the third pin (grounding) of the power cord shall be cut or removed. If the refrigerator is arranged in place, the plug shall be touchable for use. Warning! The plug of power cord shall be securely connected with the socket; otherwise, a fire may occur.



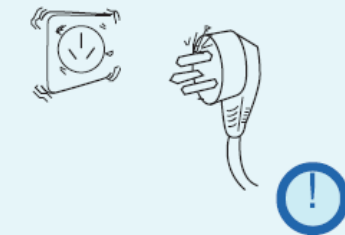
Do not damage the power cord

- Never unplug the refrigerator by pulling on the power cord; Always grasp the plug firmly and pull straight out from the socket;
- Do not place the refrigerator on the power cord or tramp on the power cord;
- Move the refrigerator away from the wall with care; do not roll on or damage the power cord.



If the power cord has become frayed or otherwise damaged

Do not use a power cord that shows cracks or abrasion damage along its length. In case of any crack or abrasion damage, the power cord must be replaced at the repair center as designated by the manufacturer.



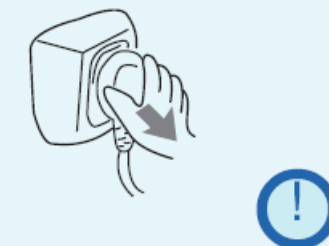
If inflammable gases like coal gas leak,

- Close the valve involved in gas leakage;
- Open the door and window;
- Do not plug or unplug the refrigerator and other appliances.



Unplug your refrigerator under any of the following circumstances:

- Unplug your refrigerator before cleaning or making any repair.
- Unplug your refrigerator before replacing damaged bulb in order to protect from an electric shock.



Safety Precautions (Use)

It is prohibited to put inflammable, explosive, hazardous materials, and high-corrosion acid, alkali, etc. into the refrigerator.



This product is household refrigerator. According to national standard, household refrigerator is only applicable to storage of food, and can not be used to store blood, medicine, biological products or for other purposes.



Do not store or use gasoline or other inflammable articles around the refrigerator in order to avoid a fire hazard.



After your refrigerator is in operation, do not touch the cold surfaces in the freezer compartment, particularly when hands are damp or wet. Otherwise, skin may adhere to these extremely cold surfaces.



Do not put bottle beer, drinks, etc. into the freezer in order to prevent from cracking.



Do not place unstable articles (e.g. heavy objects, vessels containing water) on the top of the refrigerator in order to avoid falling to injury people or prevent from overflowing to cause electric leakage.

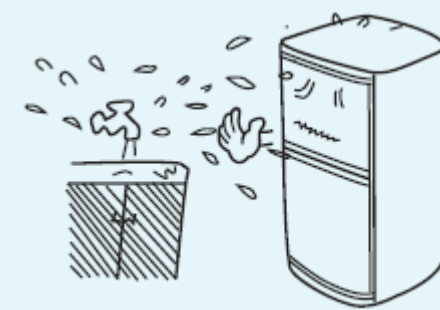


Safety Precautions (Maintenance)

It is prohibited to privately dismantle, alter the refrigerator and also to damage the refrigerating pipeline. Refrigerator maintenance and services must be performed by technicians.



Do not use water to spray or wash your refrigerator, nor place it in a damp place or the place where water is easily splashed, in order to avoid affecting electrical insulation properties of the refrigerator.



Unplug your refrigerator if power failure or before cleaning, and maintain at least five minutes and then power it on, in order to avoid damage to the compressor due to continuous startup.



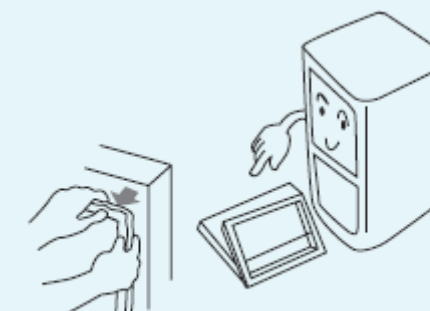
Do not play with the cabinet door in order to avoid personal damage arising from door inclination or refrigerator collapse.



Do not place power plug, regulated power supply, microwave oven and other electrical appliances on the top of the refrigerator, nor use any electrical appliances (except for recommended model) inside the refrigerator, in order to avoid electromagnetic interference or other accidents.



If your old refrigerator is not being used, we recommend that you remove the doors and door gaskets. This will reduce the possibility of danger to children.

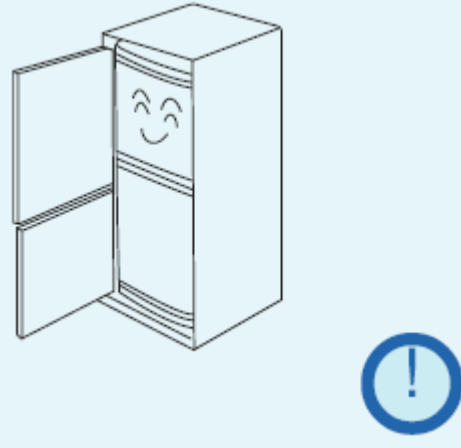


Location Environment

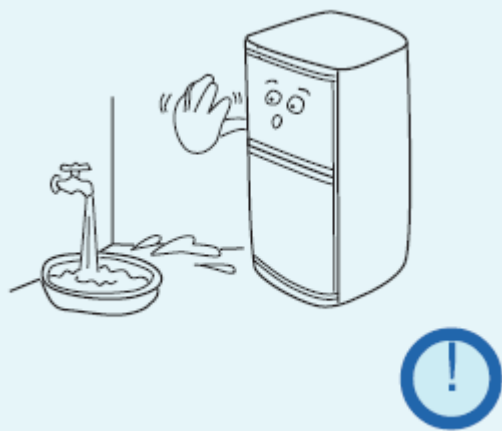
The refrigerator shall be arranged far away from heat sources and protected from direct sunlight, in order to avoid affecting working performance of the refrigerator.



This refrigerator should be built in an enclosed cabinet. Refer to overall dimensions of the product as indicated in the Instructions for specifications of the cabinet.



Do not place the refrigerator in a dank place or the place where water is easily splashed. Splashed water or waste shall be promptly cleaned by using a soft cloth, in order to prevent from rust or affecting electrical insulation properties.



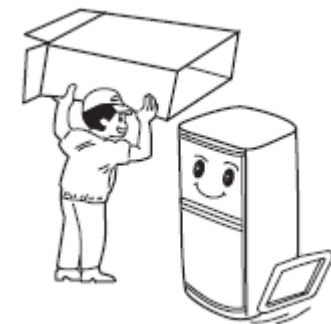
Do not expose the refrigerator into a cold even frozen environment, open air or rain.



Preparation before Use

① Remove all packing material

This includes the foam base and all adhesive tapes holding the refrigerator accessories inside and outside.

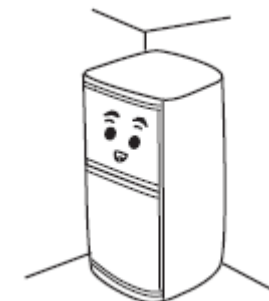


② Check accessories and material accompanied with the refrigerator

Inspect the articles according to the packing list. In case of any discrepancy, please refer to the sales store.



③ Place the refrigerator in a proper place (refer to the preceding section "Location Environment")

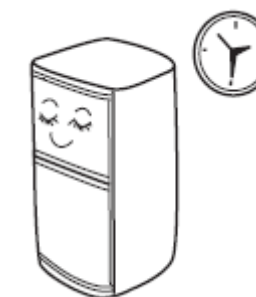


④ You'd better clean the refrigerator before use (refer to the section "Cleaning" as below for detailed instructions)



⑤ Standing

After leveling and cleaning the refrigerator, leave the refrigerator stand for 30 minutes or above before power it on, and then power it on in order to ensure its normal operation.



Installation Instructions

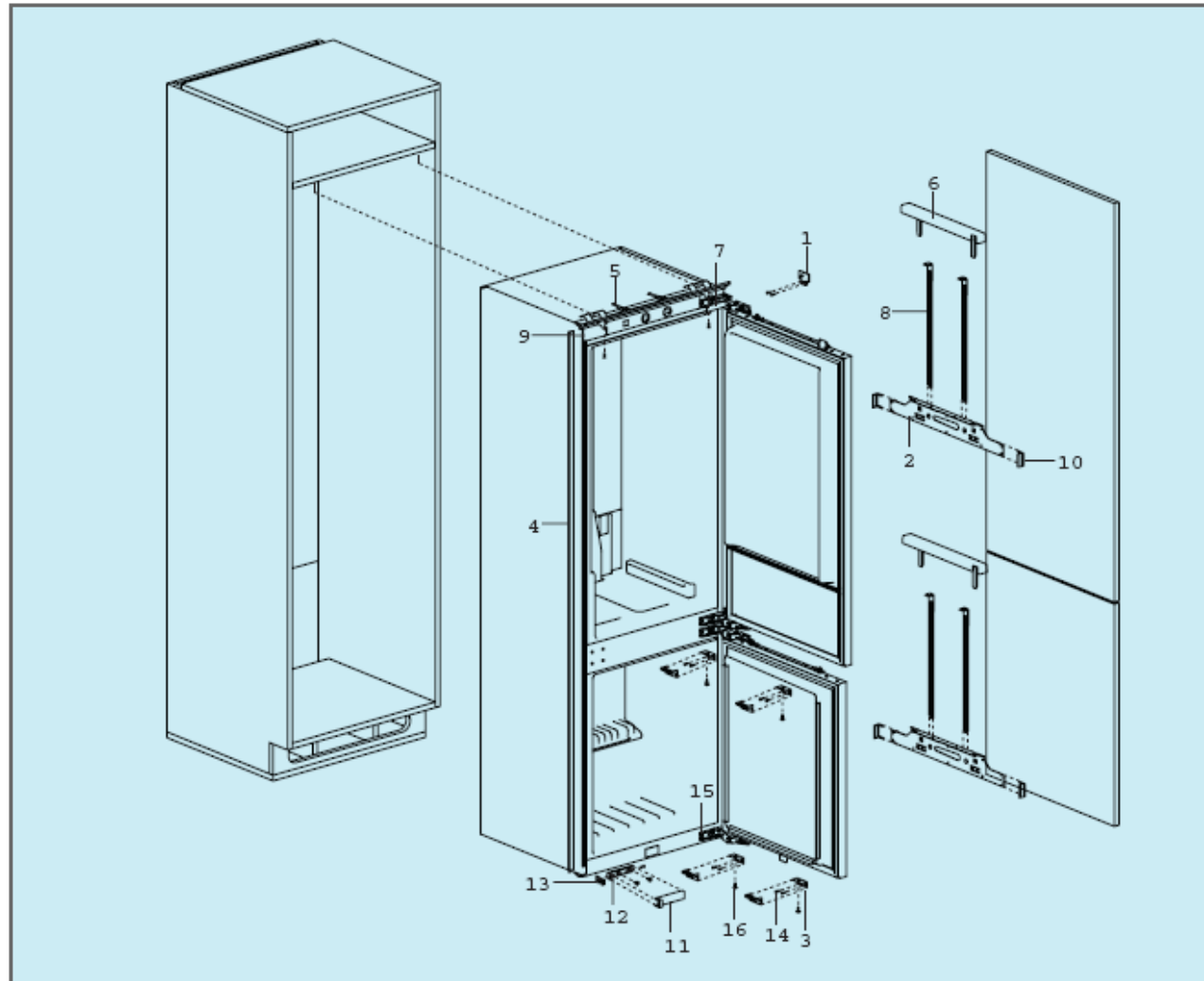
Please comply with the following installation procedures to ensure its normal work of the refrigerator.

■ Installation position

Do not install the refrigerator at places directly exposed to sunshine, nor near cooking bench, oven, dish washer or other heating appliances.

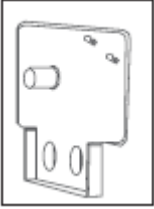
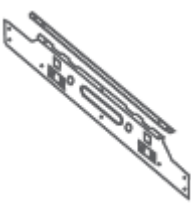



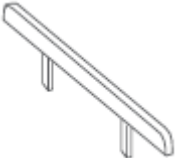
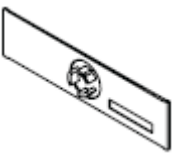

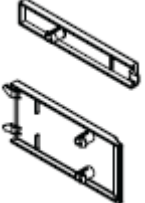

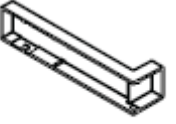
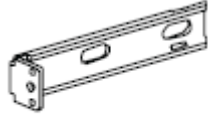
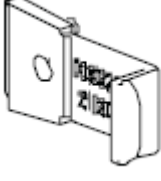

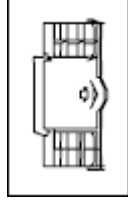
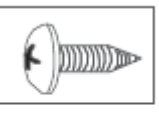
■ Power supply

- Ensure the convenience of plugging and unplugging power plug when installing the refrigerator.
 - Plug the refrigerator into special socket to ensure no accident power off to the refrigerator. Do not plug any power plugs of other appliances into the socket for the refrigerator use. Do not use any extension cord or multi-outlet adapter in case that the multi-outlet adapter may drop from the socket on the wall under the weight of several power cords.
 - Refer to the nameplate at left side of the refrigerator to get power requirements.
 - Refrigerator must be correctly grounded.
- ### ■ Explode view



Installation Instructions

■ List of main parts

1. Clearance adjusting plate  4 pcs	2. Upper fix plate  2 pcs (installed)	3. Lower fix plate  4 pcs	4. Side seal (rubber)  2 pcs
5. Upper pad  1 pcs	6. Upper cover of upper fix plate  2 pcs (installed)	7. Hinge cover  4 pcs (installed)	8. Ruler  4 pcs
9. Upper fastenings  2 kinds, 1 pcs per kind (installed)	10. Upper fix plate shell cover  4 pcs	11. Lower fix leg cover  1 pcs	12. Lower fix leg  1 pcs
13. Position adjusting plate  1 pcs	14. Wood screw  3x12 32 pcs	15. Door gasket baffle  2 pcs	16. Lower fix plate screw  5x16 4 pcs

Two plate thicknesses are available for used with cabinet T15 and T18.

Installation Instructions

Basic dimensions

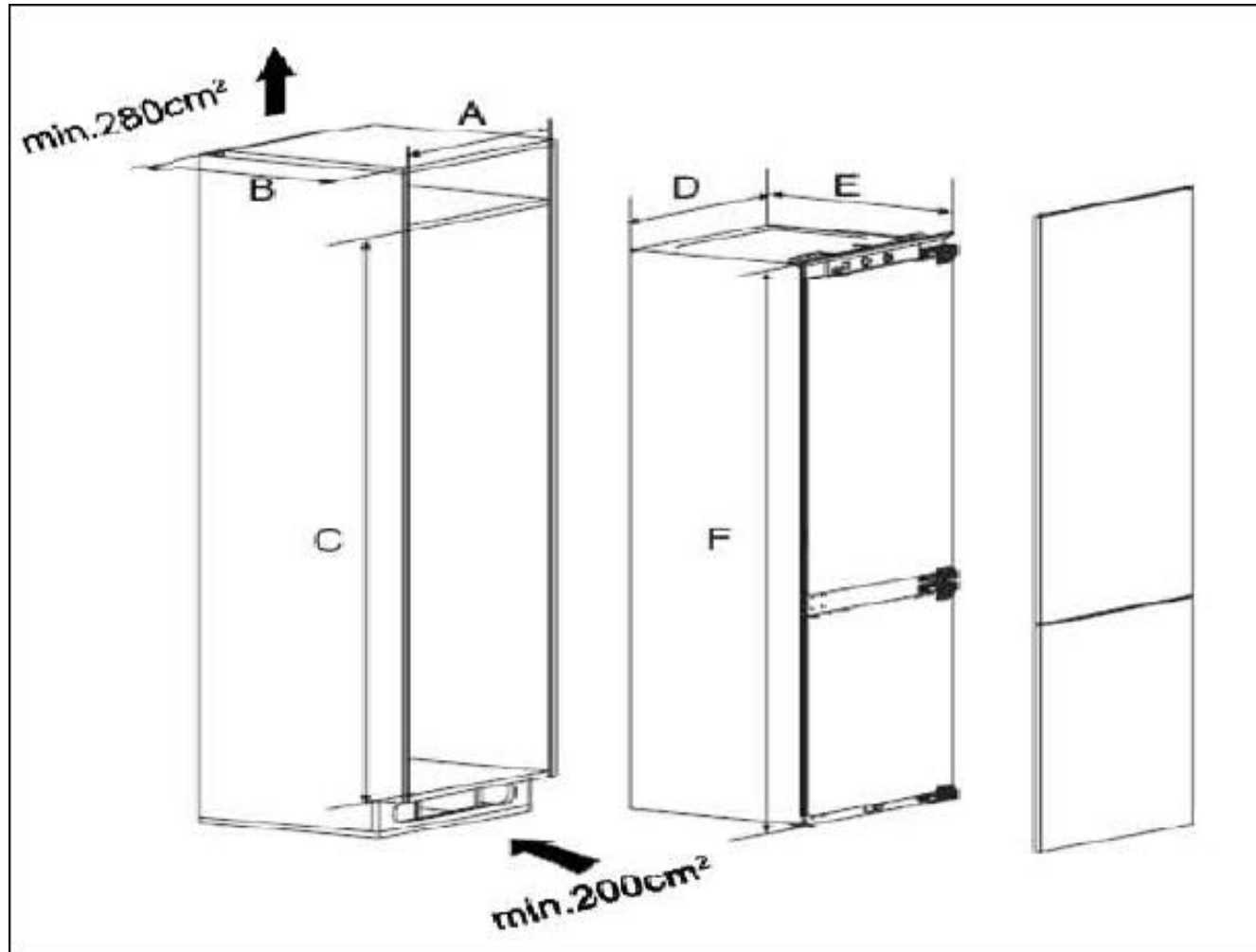


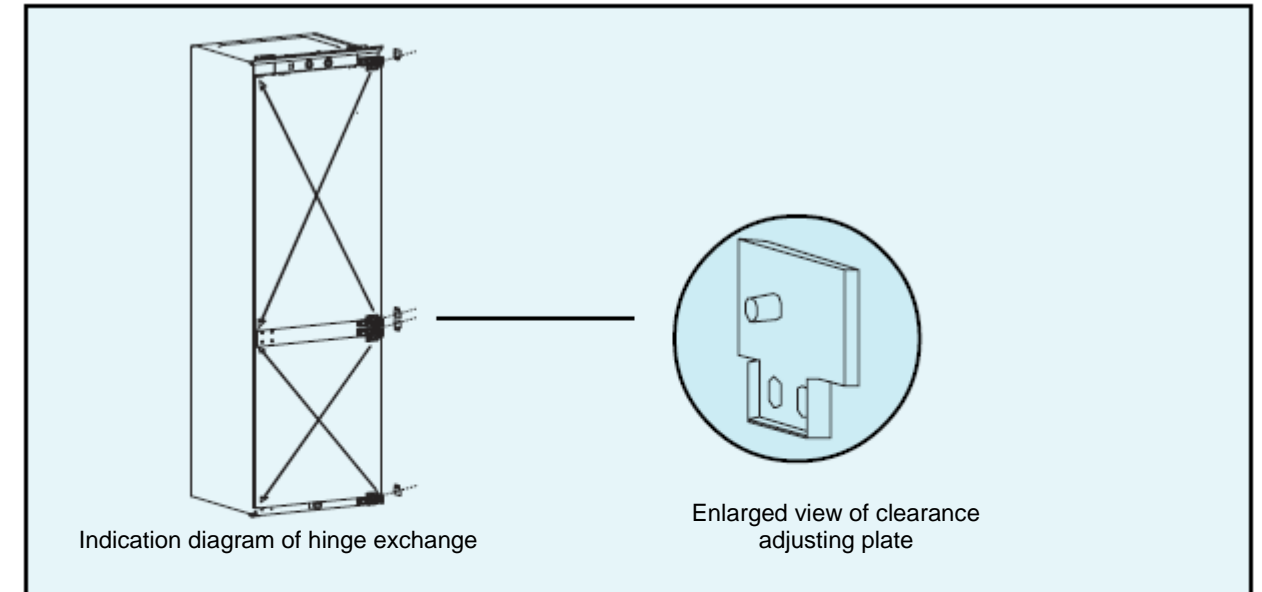
Figure 1: Cabinet explode view

Cabinet dimension (mm) (including the minimum clearance)	
A Inner width	560-570
B Total depth	Min. 550
C Inner height	1776-1782
Product dimension (mm)	
D Total width	555
E Total depth	540
F Total height	1770

Installation Instructions

Preparation work before installation of the cabinet

- Determining the opening direction
Opening direction of the refrigerator ex-factory is left-hand door direction. If right-hand door is needed, exchange the upper and lower hinges and install them on the left side. Exchange direction is the same as the arrow direction shown in the figure.
- Installing clearance adjusting plate
If T18 cabinet is used, installation clearance adjusting plate is not needed.
If T15 cabinet is used, installation clearance adjusting plate is not needed.



T18 cabinet is a cabinet with a wall thickness of 18 mm.

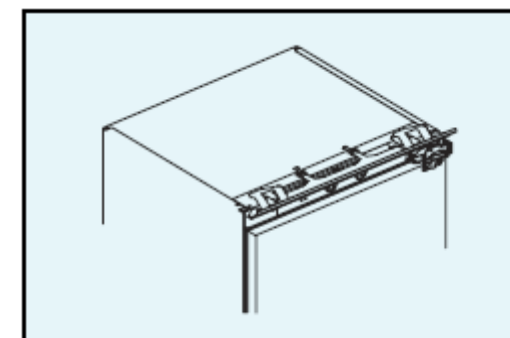
T15 cabinet is a cabinet with a wall thickness of 15 mm.

3. Installing upper fastenings and upper pad

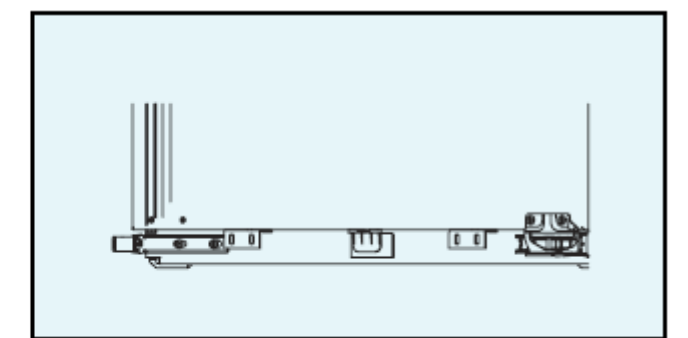
Fix the upper fastenings on the refrigerator with screws first, and then install the upper pad on the refrigerator and ensure the upper pad can move forward and backward at the same time.

4. Installing lower fix leg and position adjusting plate

Fix the lower fix leg to the refrigerator with screws first, and then lock the position adjusting plate to the left side of the lower fix leg.



Installation of upper pad

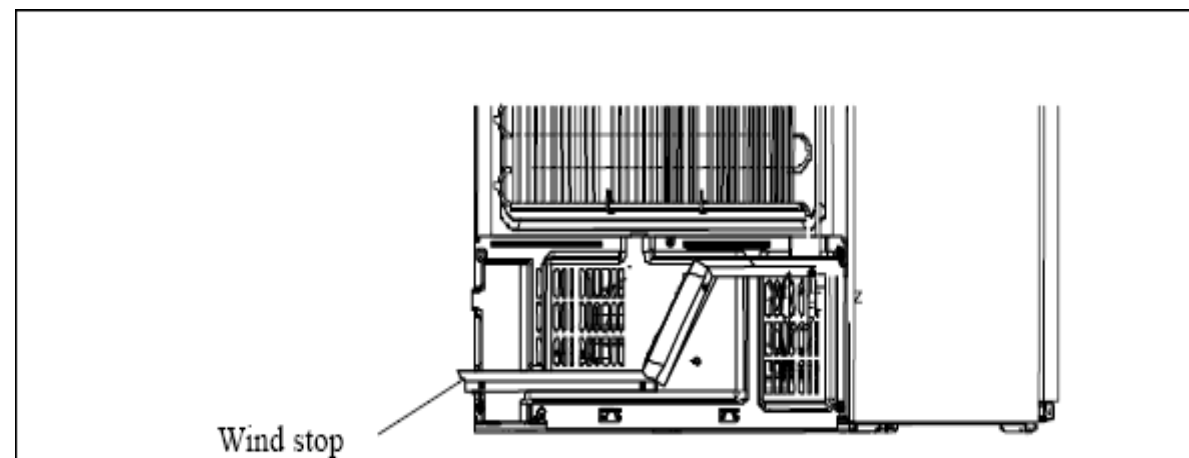


Installation of lower fix leg and position adjusting plate

Installation Instruction

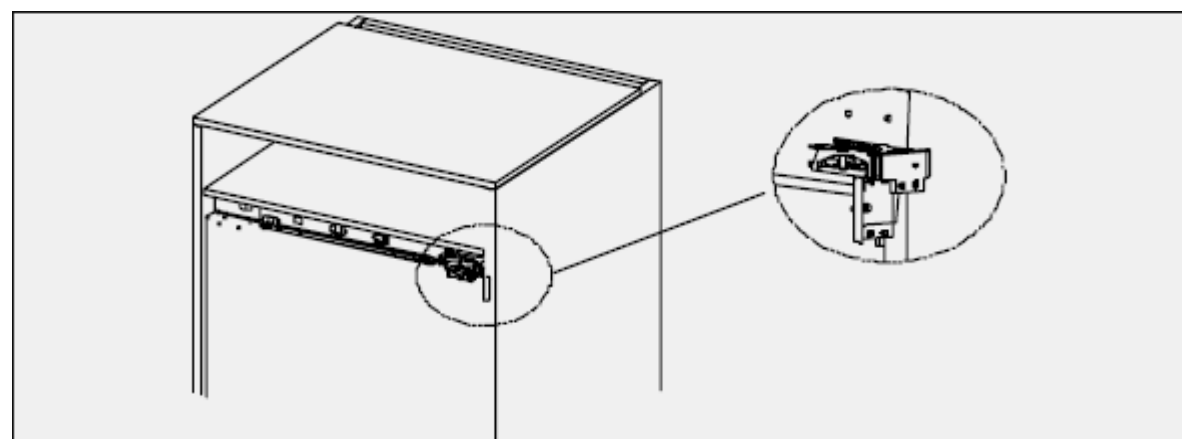
5. Installing wind stops

Install wind stops on the back cover of the compressor. Insure the distance of condenser and cabinet no less than 10mm.



6. Installing door gasket baffle

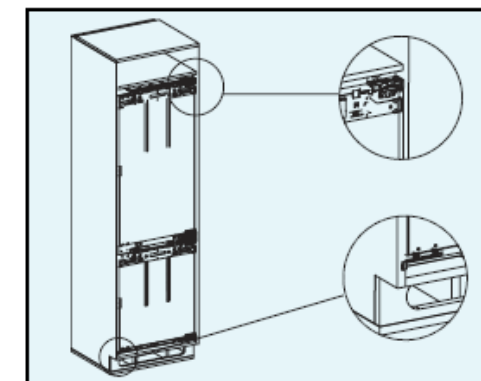
Remove the door gasket baffle from the door, and install it onto the hinge.



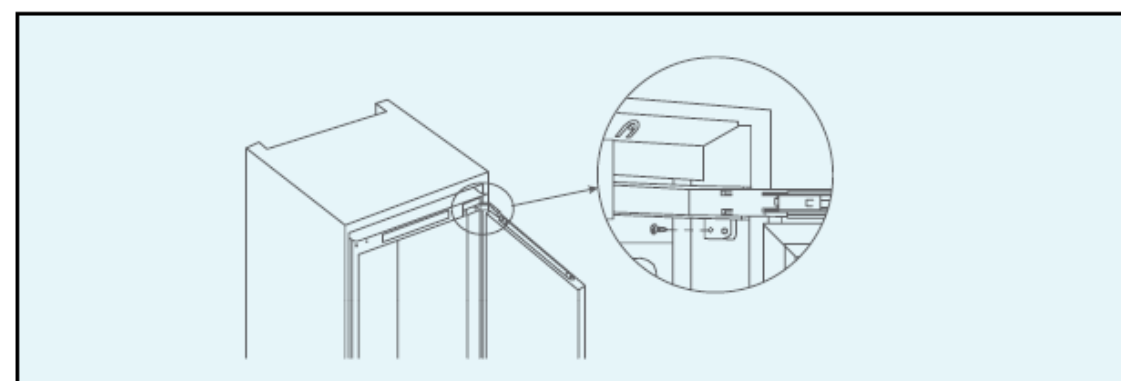
Installation Instruction

■ Putting the refrigerator into the cabinet.

1. Pass the power cord through the hole on the back of the cabinet. If the socket is within the cabinet, please insert the power plug of the refrigerator into the socket, and then put the refrigerator into the cabinet.
2. Move the refrigerator into the cupboard, and adjust position of the refrigerator to make sure the door gasket baffle is closely attached to the front end of the side plate of the cupboard and the position adjusting plate is closed attached to the end surface of the side plate of the cupboard.

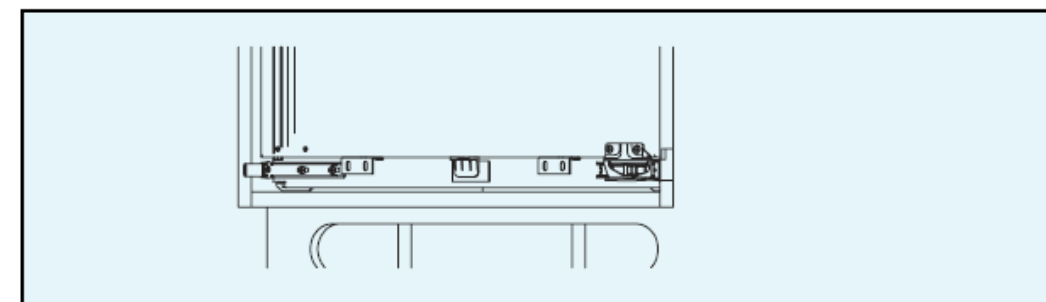


3. Adjust the position of the refrigerator horizontally to make sure clearances between the refrigerator and the cupboard side boards are the same.
4. Fix sides of the hinge with screws (2 screws: the 1st screw is used to fix the 1st hinge, and the 2nd screw is used to fix the 4th hinge). Insert other screws into screw holes on the hinge and fasten them tightly upon the installation of cupboard doors.



Screws to fix the hinge

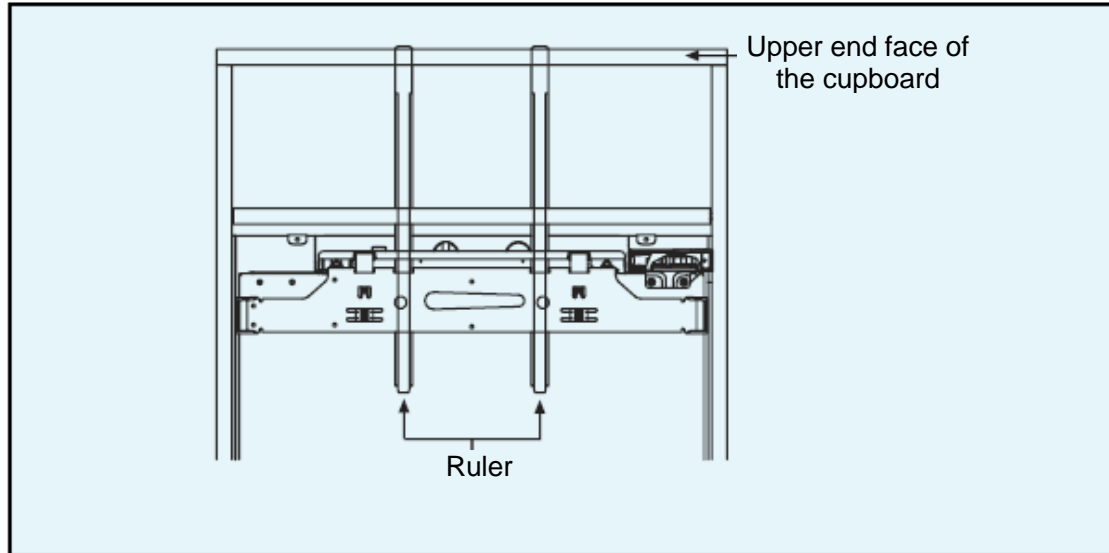
5. Fix the lower fix leg and the position adjusting plate onto the side plate of the cupboard with wood screws.



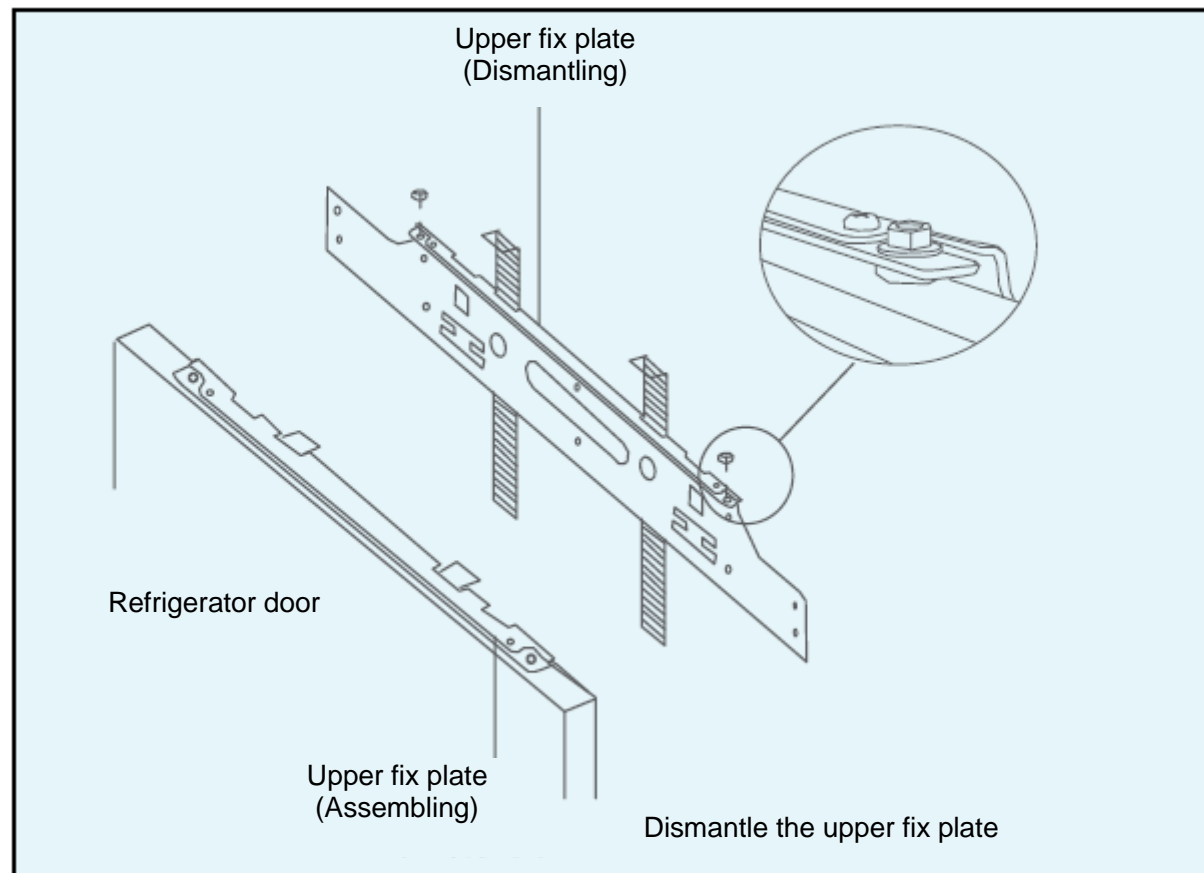
Installation Instruction

■ Installing upper cupboard door

1. Move the ruler vertically to make the upper end of the ruler closely clung to the upper end face of the cupboard. See the figure below:

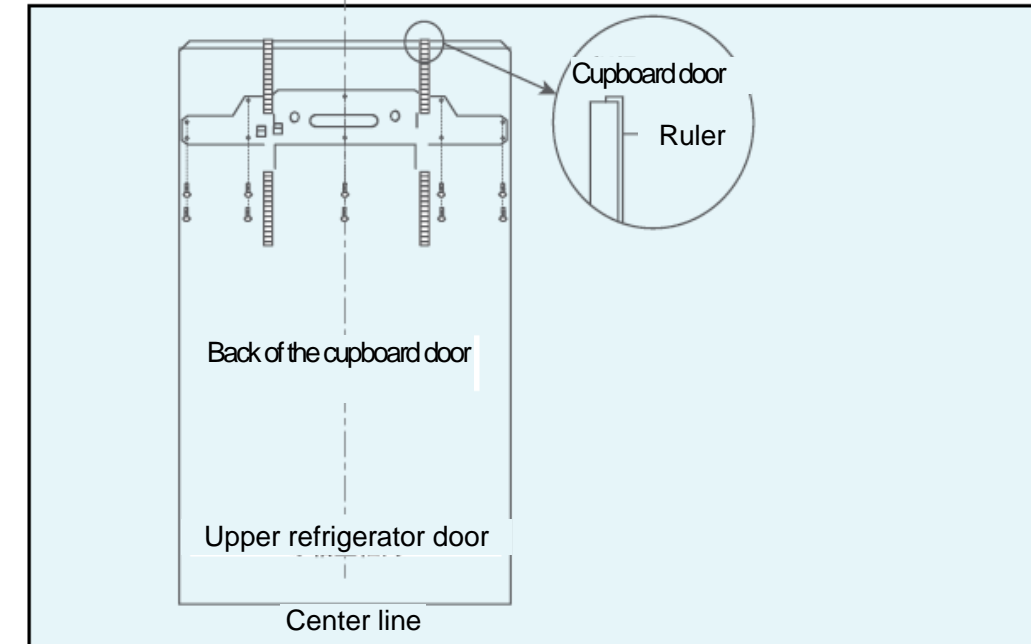


2. Loosen hexagonal screws on the upper fix plate, and remove the upper fix plate and ruler together. See the figure below:

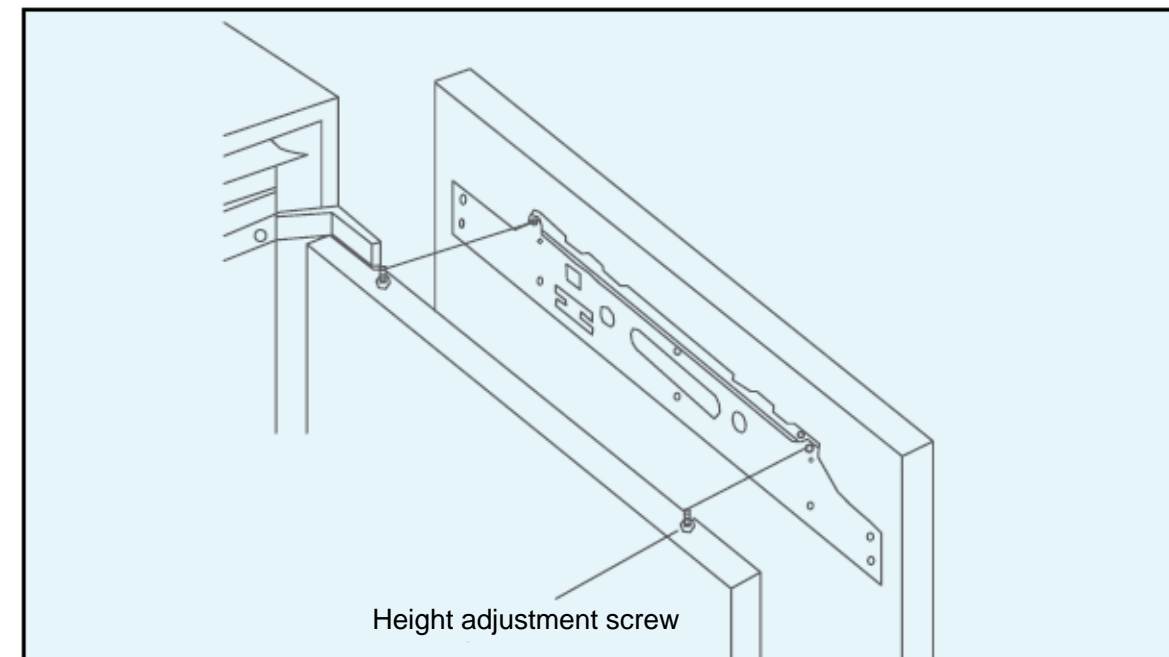


Installation Instructions

3. Turn over the upper cupboard door of the refrigerator, place it on clean floor, and make the upper fix plate closely clung to the upper end face of the cupboard door.
4. Adjust to make the center line of upper fix plate align at the center line of the cupboard door and the upper end of the ruler in close contact with the upper end face of the cupboard door. Fix the wood screw after alignment. See the figure below:

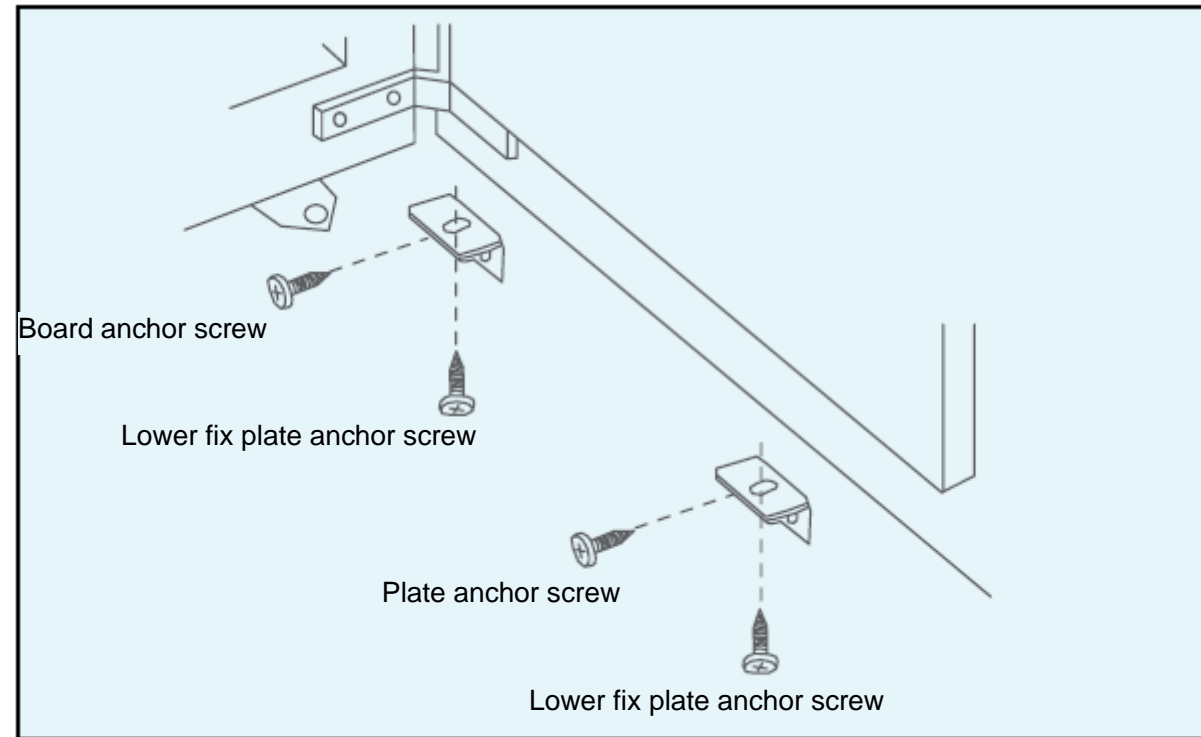


5. Pull out the ruler on the upper fix plate.
6. Open the refrigerator door, hang the assembled upper cupboard door onto the height adjustment screw on the top of the refrigerator, and fix it with hexnuts (Please don't fasten too tightly so as to allow free horizontal movement of the cupboard door).



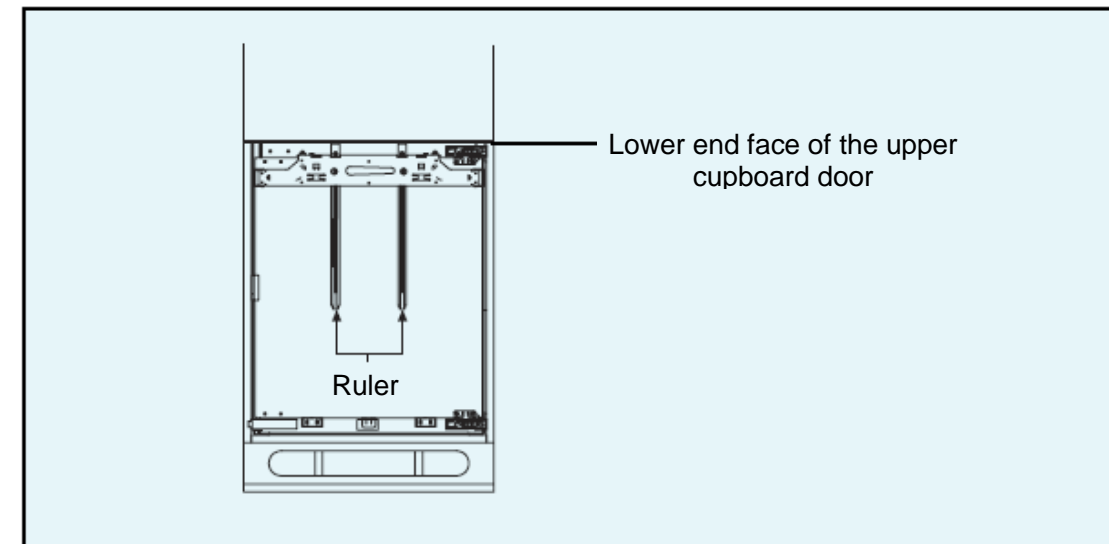
Installation Instructions

- Adjust cupboard doors as per their adjustment method. After adjustment, please use lower fix plate to fix the refrigerator door and the cupboard door.

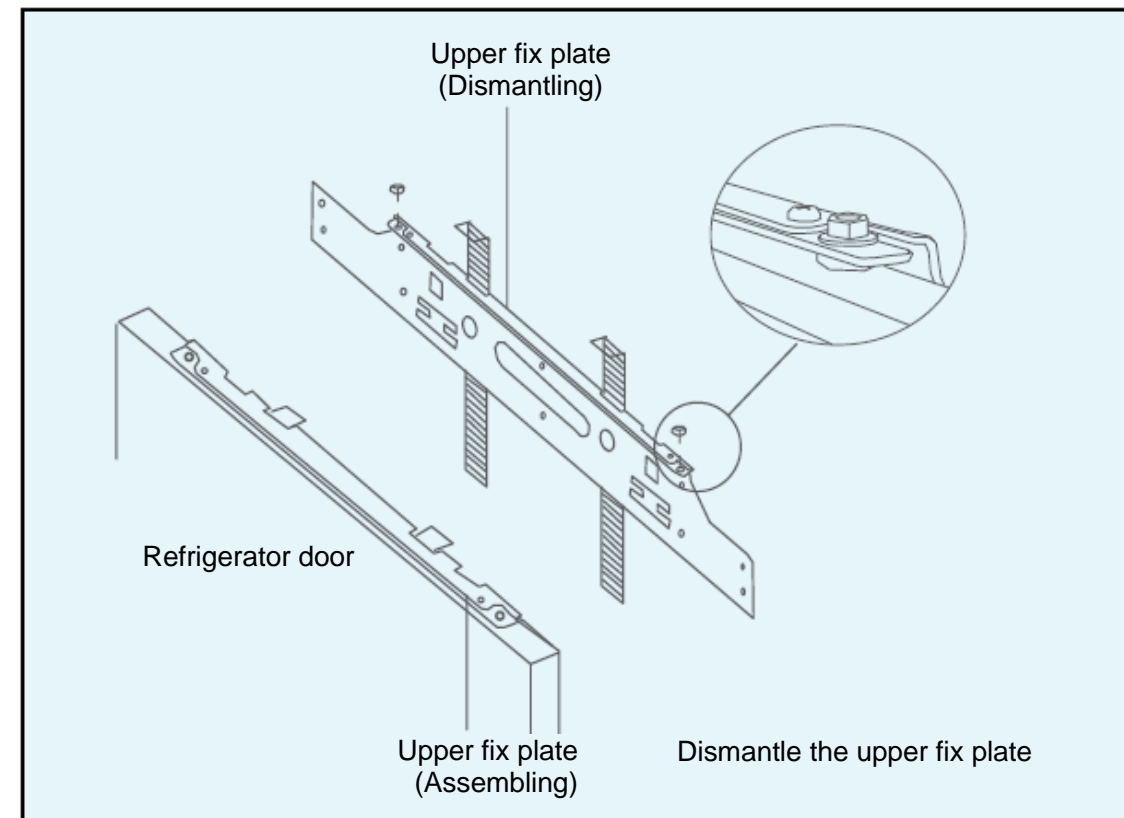


Installation Instructions

- Installing lower cupboard doors
- Move the ruler vertically to make the upper end of the ruler closely clung to the lower end face of the upper cupboard door. See the figure below:

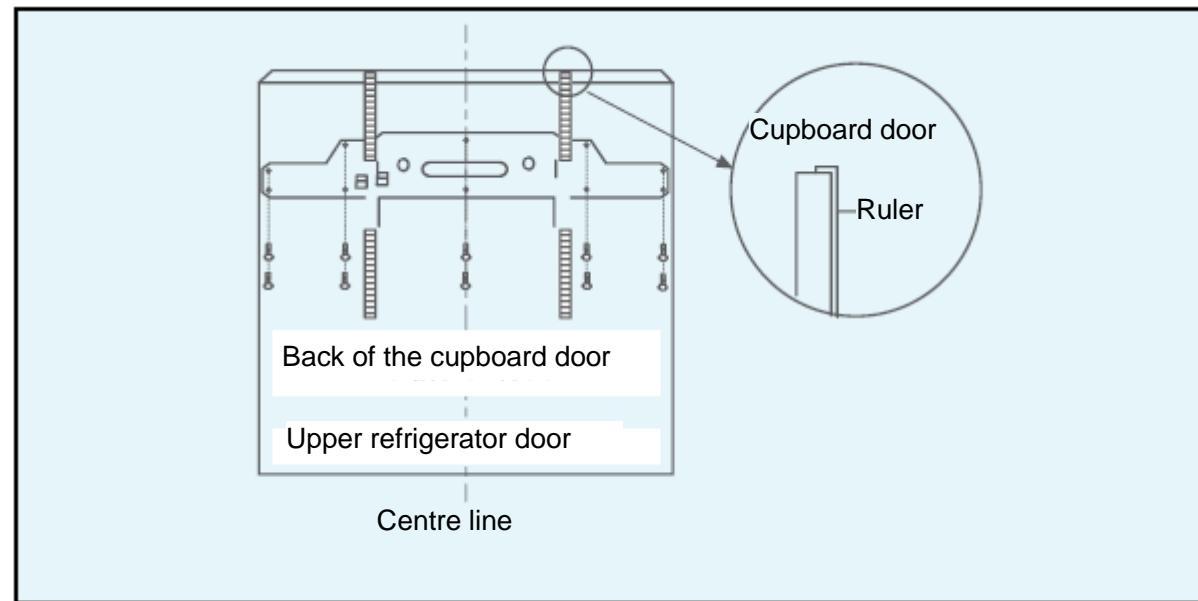


- Loosen hexagonal screws on the upper fix plate, and remove the upper fix plate and ruler together. See the figure below:

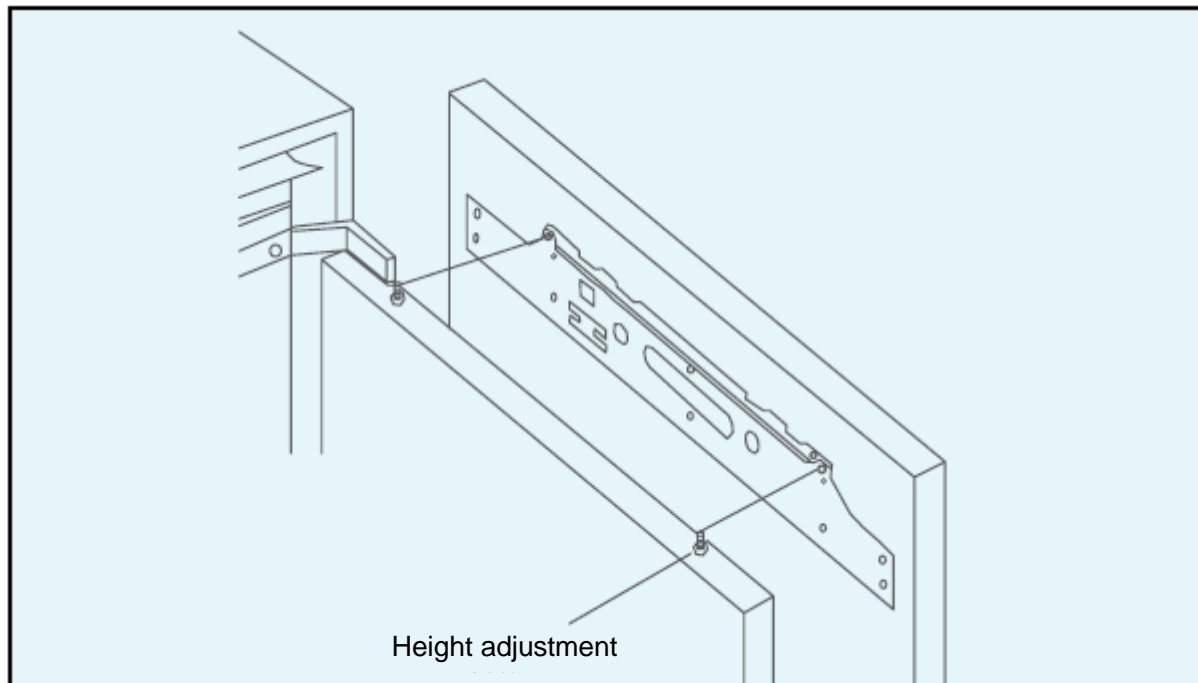


Installation Instructions

- Turn over the lower cupboard door of the refrigerator, place it on clean floor, and make the upper fix plate closely clung to the upper end face of the cupboard door.
- Adjust to make the center line of upper fix plate align at the center line of the cupboard door and the upper end of the ruler in close contact with the upper end face of the cupboard door. Fix the wood screw after alignment. See the figure below:

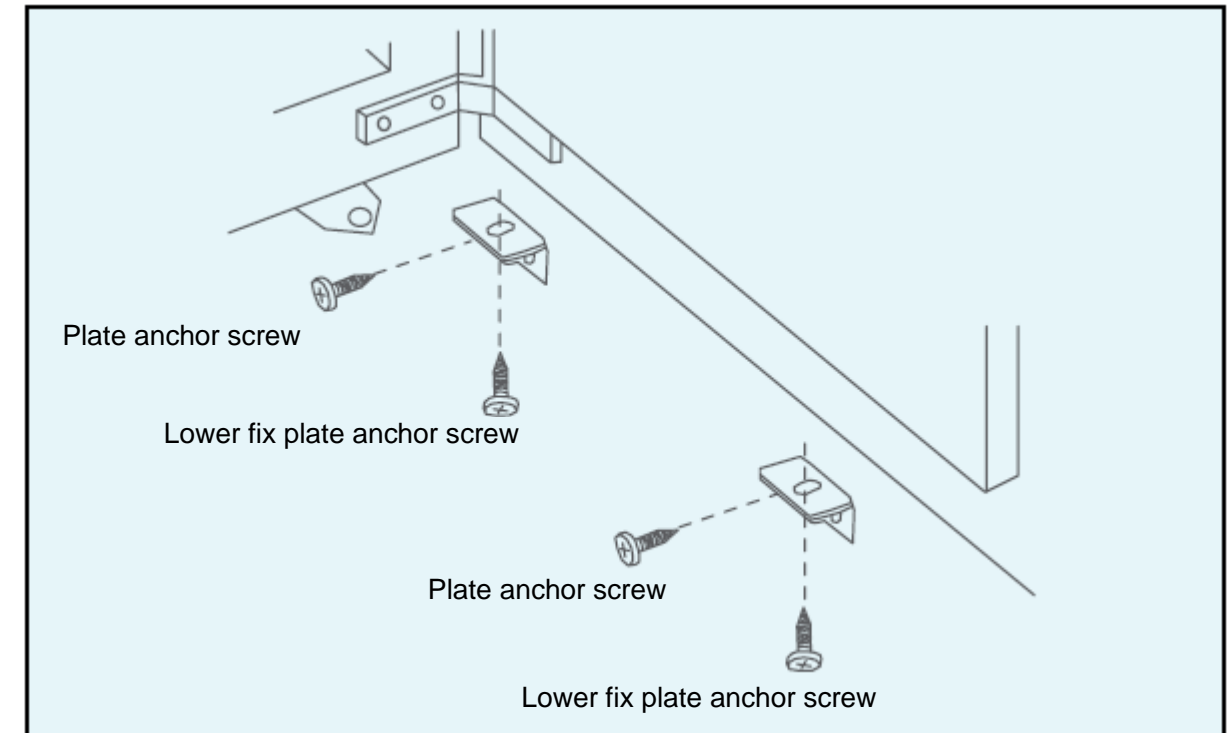


- Pull out the ruler on the upper fix plate.
- Open the refrigerator door, hang the assembled upper cupboard door onto the height adjustment screw on the top of the refrigerator, and fix it with hexnuts (Please don't fasten too tightly so as to allow free horizontal movement of the cupboard door).



Installation Instructions

- Adjust cupboard doors as per their adjustment method. After adjustment, please use lower fix plate to fix the refrigerator door and the cupboard door.



Installation Instructions

■ Adjusting cabinet door

To adjust the upper end of the cabinet door

- 1 Refer to the installation method for the cabinet door for fixing hangers on the refrigerator door.
- 2 Twist the adjustment height (X) of height adjustment nut (A) with wrenches (about 5mm).
Check clearances on both sides of the upper fix plate and adjust if it's hard to adjust the height.
- 3 Loosen the horizontal adjusting nut (B) slightly, and move the refrigerator door slightly to adjust its position (Y) (About 5mm).
Check clearances on both sides of the upper fix plate and adjust position if it's hard to adjust the height.
- 4 Loosen the depth adjusting nut (C) slightly and move the cabinet door to adjust the depth (Z) and fasten the nut (About 3mm).
Check clearances on both sides in the cabinet and adjust position if it's hard to adjust the height.

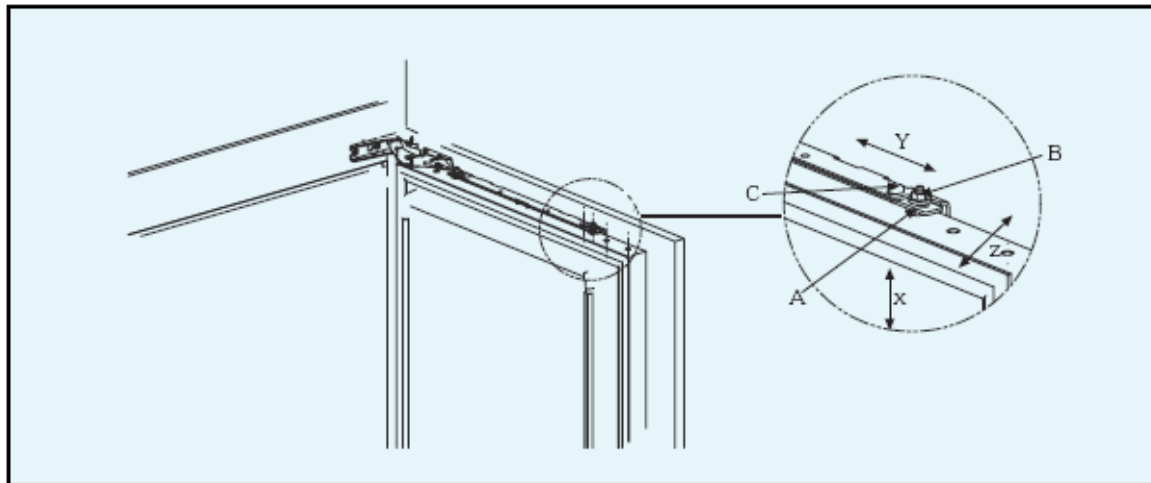


Figure 13: Adjust the upper end of cabinet door

To adjust the lower end of the cabinet door

- 1 Loosen screws slightly, adjust the depth (Z), and then fasten screws tightly.
- 2 Insert wood screws into other bolt holes on the lower fix plate and fasten them after adjusting horizontal position of the cabinet door.

Side view

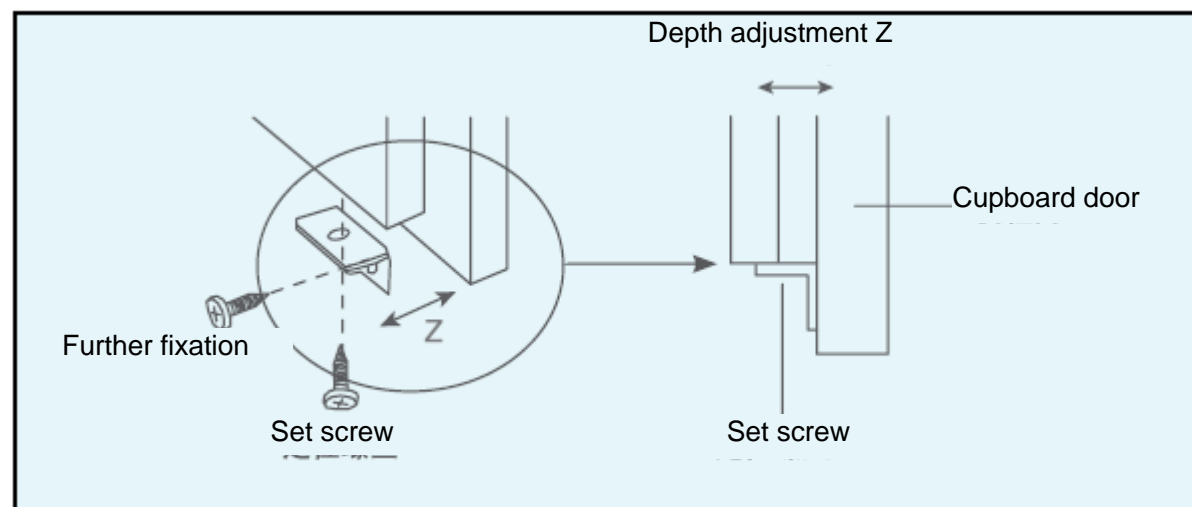
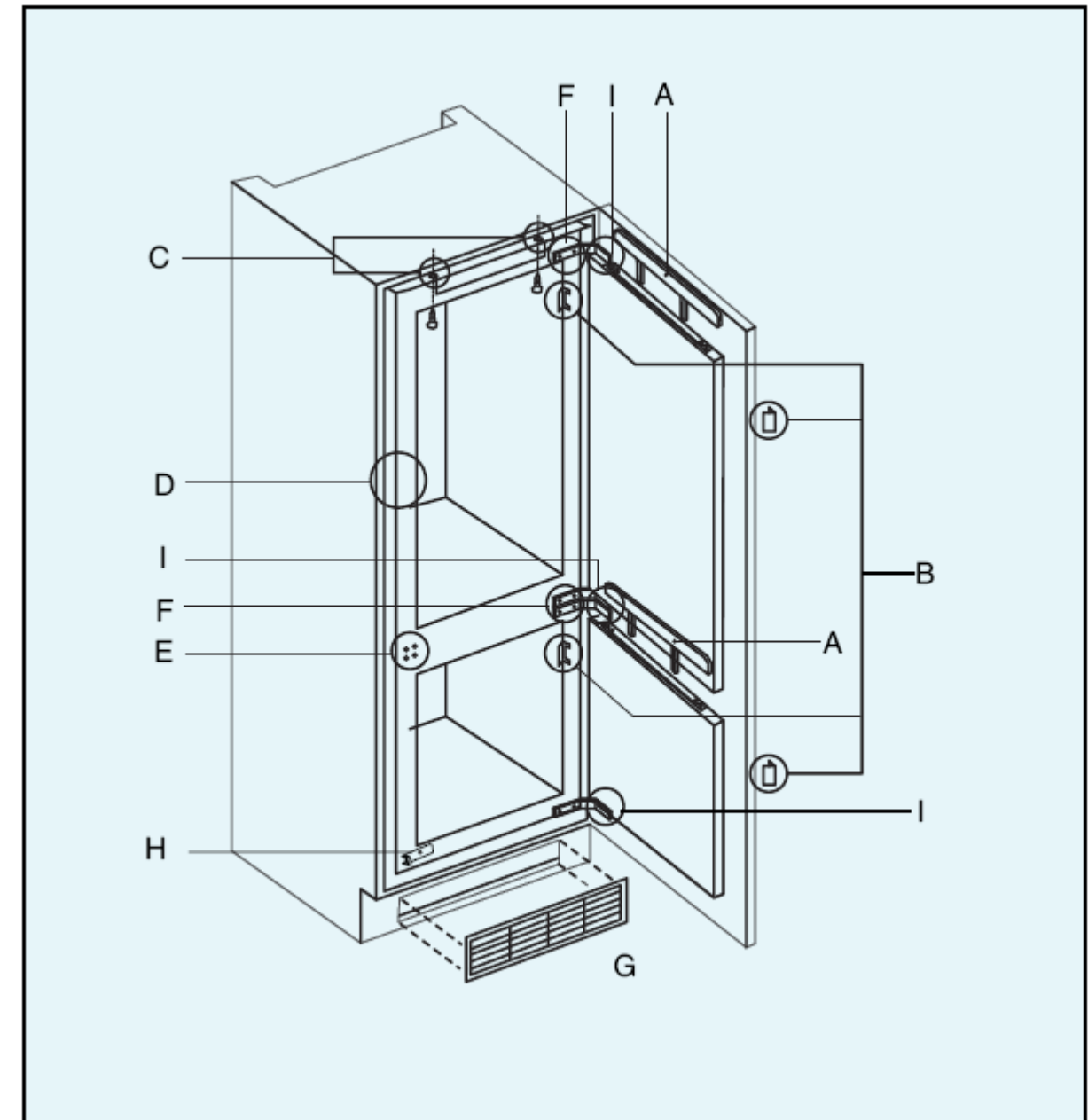


Figure 14: Adjust the lower end of cabinet door

Installation Instructions

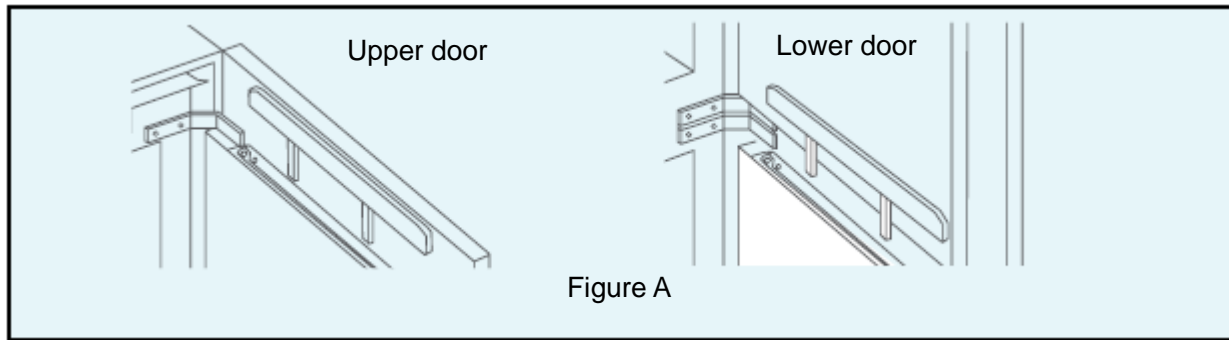
■ Tailing work



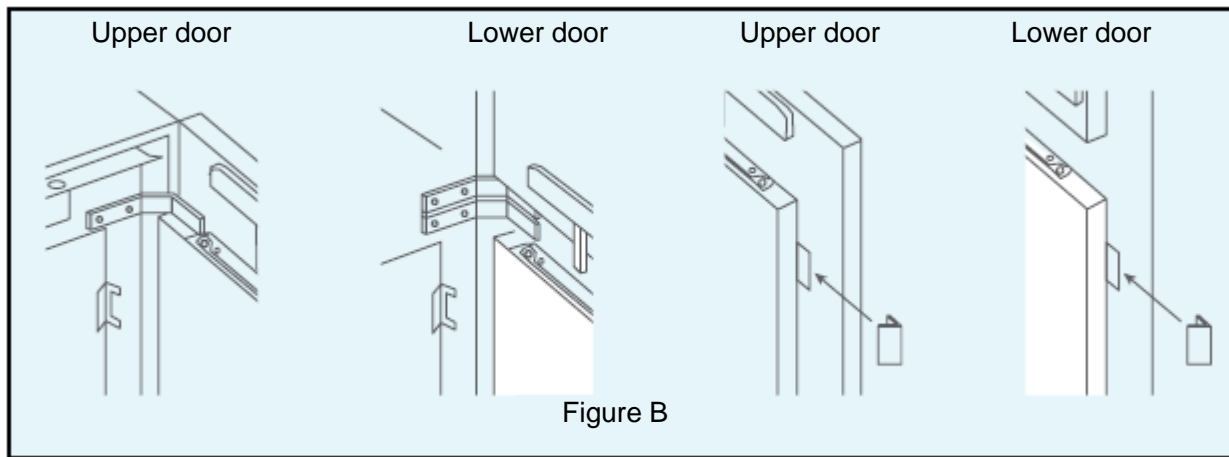
Position adjustment after installation

Installation instructions

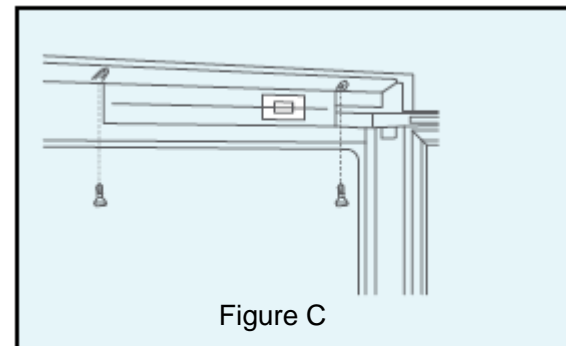
1. Insert the upper fix plate cover into the upper fix plate (2 pcs.; see Figure A.)



2. Insert the upper fix plate cover into the upper/lower (left/right) side (4 pcs. See Figure B)



3. Fix the refrigerator with wood screw, and then insert the upper pad (See Figure C).



4. Insert two side seals into the clearance between the refrigerator and the cabinet (See Figure D), and then stick magnetic seals onto the side plate of the refrigerator.

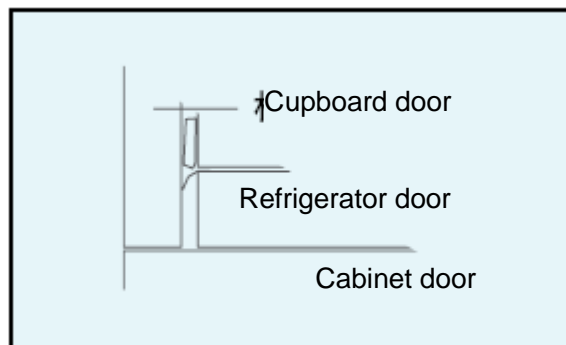


Figure D

Installation Instructions

- Installation instructions
5. Please remember to insert positioning pin of hinge hole (4 pcs. Refer to Figure E) when the position of the hinge is changed.
If it is left open, please take down the positioning pin of hinge hole, and adjust the position of hinges. Insert the positioning pin of hinge hole into hinge fixed hole on the other side.
 6. Insert hinge covers (4 pcs.; see Figure F);
 7. Install (separately provided) ventilation grid on the anti-dragging plate in the cabinet (See Figure G). Fix the ventilation grid on the faucet of the anti-dragging plate.
 8. Tighten screws on the fix leg, and then cover the covers for the upper and lower fix leg (See Figure H).
 9. Use hinge anchor screws to fix hinge fixation holes (See Figure I).
 10. Connect power cord and connect through the power supply of the refrigerator to make sure whether it can work normally or not.

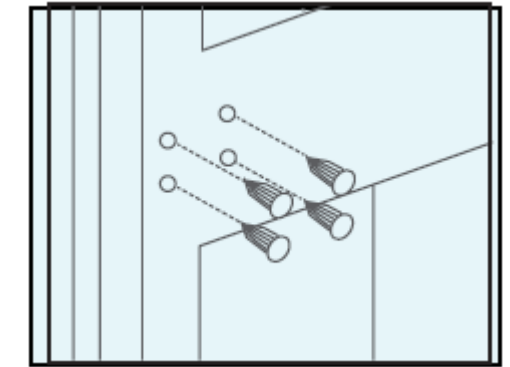


Figure E

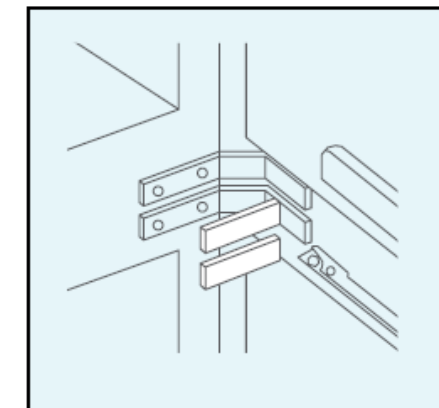


Figure F

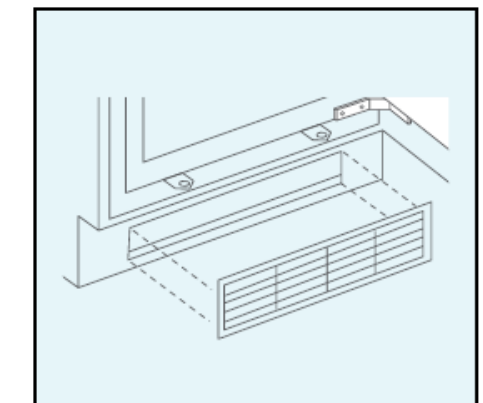


Figure G

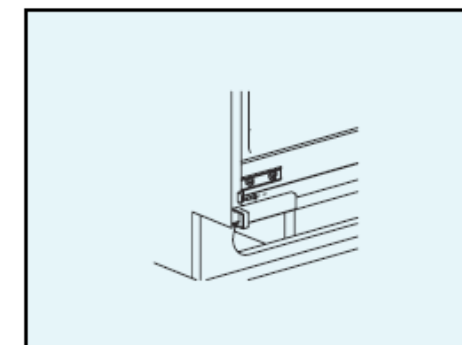


Figure H

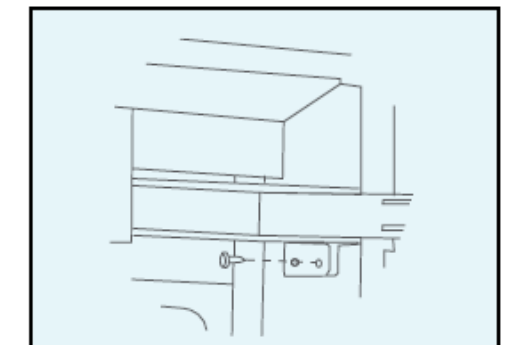


Figure I

Installation Instructions

■ Tips to emergency conservation

Many simple and feasible methods can be used for energy conservation.

■ During the installation

Please install the refrigerator in the room where the temperature is the lowest. Avoid direct sunshine and avoid contacting heating pipes, ventilation adjustment devices or other heating appliances.

Make sure the refrigerator is well ventilated as per the Installation Instructions.

■ During the use

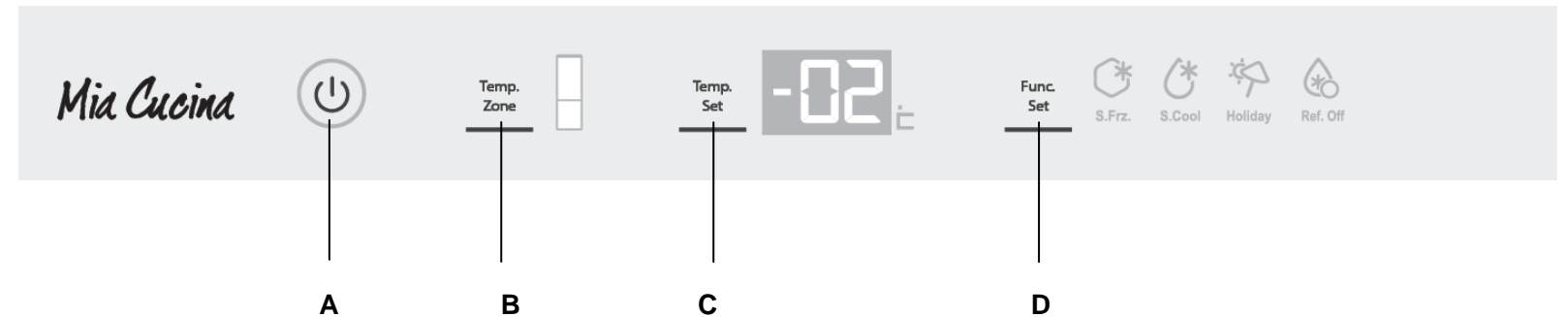
- Avoid stuffing too much food in the refrigerator to ensure smooth air circulation;
- Please don't use anything (for example, aluminum foil, wax paper, or facial tissue) on the clapboard as pads; otherwise, air circulation will be affected.
- Avoid stuffing too much hot food in a time. Enough space shall be reserved in front of the air tube in the refrigerator so as to maximize cold air.
- The cooling efficiency of the refrigerator will reach its peak when two thirds of the refrigerator is stuffed.
- Try to shorten unnecessary open time, and arrange food in the refrigerator reasonably to shorten open time.

■ Before putting food into the refrigerator chamber or the freezer

- Please remove all the packing materials;
- Clean the internal refrigerator with warm water with cleanser essences to remove dust left during the manufacture and transportation;
- There is peculiar smell in the refrigerator at the very beginning. However, the smell will disappear automatically when the temperature of the refrigerator is low enough.
- Let the refrigerator run without load for 2-3 hours to make sure each chamber is cooled to a proper temperature.

Introduction of Functions

■ Digital display





A Power Switch

B Selecting Zone of Adjustment

C Temperature Adjustment

D Function Arrangement

■ Power switch

Push "Power Switch"  button for 3s, the button indication light will be off, and the refrigerator will be closed; during the closed status, press the "Power Switch"  button again for 3s again, the power indication light will be on, and the refrigerator will start operation.

■ Temperature adjustment of the refrigerator chamber

Adjust refrigerating adjustment touch to required temperature.

■ Temperature adjustment of the freezer

Adjust refrigerating adjustment touch to required temperature.

■ Super Cool function arrangement

Adjust freezing adjustment touch to corresponding "Super Cool" icon.

■ Super Freeze function arrangement

Adjust freezing adjustment touch to corresponding "Super Freeze" icon.

■ Open alarm

If the freezer foaming door or the freezer door has been open for over 60s, the buzzer will alarm for 3 times at an interval of 0.5s. If the refrigerator door is still open, it will alarm for 3 times at an interval of 0.5s for every 30s until all refrigerator doors are closed.

Come into Use

- Switch on power
- Put food into the refrigerator

Never stuff too much food in the freezer. It's suggested not to cross the load line in the crisper drawer.

The total weight of the food stored on each clapboard of the refrigerator chamber shall not exceed 24kg.



■ Operation of refrigerators

It takes the refrigerator several hours to refrigerate after it is being connected to the refrigerator power supply for the first time.

Food can be sent into the refrigerator after the refrigerator is being electrified for about 2-3 hours.

The temperature of the refrigerator chamber and freezer will be defaulted as temperature preset in the factory, 5°C and -18°C respectively.

Let the refrigerator operator for 24h to stabilize after the food is being sent into the refrigerator. Afterwards, the temperature can be changed.



Caution

It takes a few time for the temperature in the refrigerator to balance in the event of changes in temperature. The duration is decided upon the changes in temperature, the ambient temperature, opening frequencies and quantity of food stored in the refrigerator.

Refrigerator Chamber

- Food stored for a short time or to be consumed soon shall be stored in the refrigerator chamber.

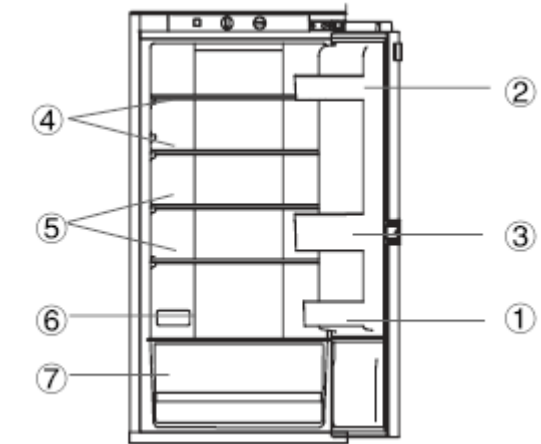
Even though most area of the refrigerator room can reach an average temperature of 0 ~ 10°C by adjusting the thermostat button. However, it can not store food for a long time. Therefore, the refrigerator chamber can only be used as a short-term storeroom.



■ Store areas suggested for various food

The temperature of different areas of the refrigerator varies due to cool air circulation. Area ⑥ is the coolest area in the refrigerator chamber. Therefore, different types of food shall be stored in different areas.

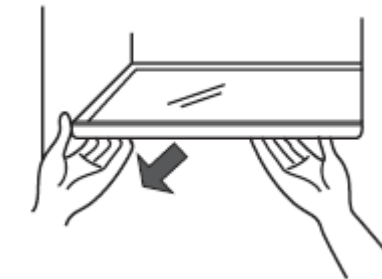
- ① Eggs, butter, etc.;
- ② Cans, seasonings, etc.
- ③ Drinks, various bottled food, etc.;
- ④ Pickling food, cans, etc.;
- ⑤ Cooked wheaten food, cans, milk, bean curd, etc.;
- ⑥ Cooked meat, sausage, etc.;
- ⑦ Fruits, vegetables, salad, etc.



■ Use of the shelf

The refrigerator is equipped with specially designed anti-overflow shelf, which makes cleaning quite easy. The shelf can be installed to different height according to the size and height of the food vessel.

When taking out the shelf, please pull it out by holding its front end.



■ Use of crisper

The crisper will help you to control the temperature of the refrigerator chamber.

Fruits and vegetables stored under normal refrigerator chamber environment will lose its moisture quite soon in the dry cold air. That is to say, the epidermis of fruits and vegetables will become wrinkled, and the taste will go bad. Fruits and vegetables can maintain more moisture by controlling the humidity of the crisper and making the air wet. Therefore, the taste of fruits and vegetables can be kept for a long time, making it much fresher and healthier.

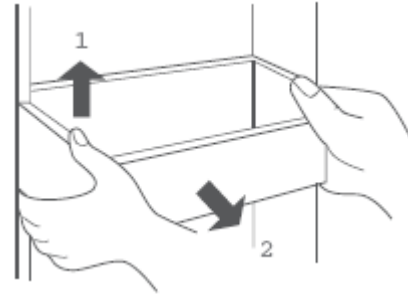


Refrigerator Chamber

■ Use of bottle seat

The bottle seat can be moved as per storage requirements. The bottle seat can be taken out by lifting it up.

When installing the bottle seat, please install it at the expected bottle seat clip within the refrigerator door, and then push it in place.



Bottle seat dismantling

■ Replacing internal lamp

The LED lamp in the refrigerator is power efficient and its service life is quite long. If the LED lamp is to be replaced, please contact local Authorized Service Center, and they will help you to replace the lamp.



Caution

The refrigerator can work for several years without maintenance and inspection.

However, please contact local Authorized Service Center if there is any failure. All electrical repair must be conducted by maintenance electricians or senior electricians subject to rigid training.

Precautions for Refrigerating Food

Cool the hot food to ambient temperature before putting it into the refrigerator.



After cleaning, droplets on the food shall be wiped before storing in the refrigerator.



Food shall be sealed before putting into the refrigerator.

It not only can prevent the evaporation of water and keep fruits and vegetables fresh and clean, but also can prevent odor tainting among food.



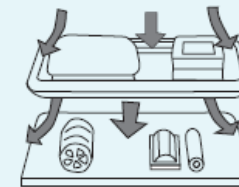
Food shall be classified.

Store food separately as per their types. Food consumed everyday can be put at the front end of the shelf, which can prevent long-term opening. And it's helpful to prevent the occurrence of out-of-date food.



Do not put too many and too heavy food in the refrigerator.

Food stored shall be mutually separated. Passageways for cold air shall be reserved so as to reach better refrigerating effect.



Food stored shall not be too close to the inner wall.

Food stored in the refrigerator chamber shall not be too close to the internal of the shelf to prevent it from freezing onto the inner wall. Therefore, attention shall be paid to stay a certain distance from the inner wall when storing food.

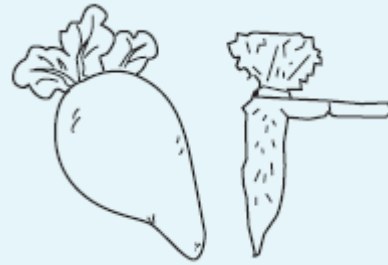


Caution

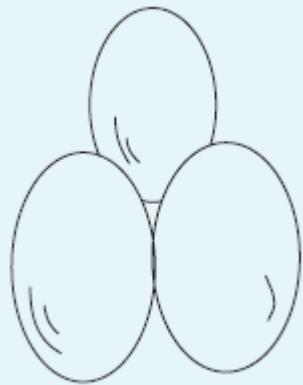
The inner liner will become etched when food stored in the refrigerator (oils especially) are contacting with the inner liner for a long time. Therefore, please try to avoid direct contact between food and the inner liner. If there are oils on the inner liner, please clean it immediately.

Skillfully Use the Refrigerator Chamber

Cut off leaves of radishes to prevent nutrition from being absorbed by leaves.



Store eggs in stand-type in egg box to prolong the storage period.



Put frozen food in the refrigerator chamber for thawing, which can make use of the low temperature of frozen food to refrigerate food and save energy.



Some foods as onion, garlic, ginger, water caltrop, tubers can be stored for a long time under normal temperature and there is no need to put them into the refrigerator.



Refrigeration may promote the metabolism of bottle gourd, melon, pawpaw, banana, pineapple; but green fruits can be put in the refrigerator chamber for storage for some time to maturation promotion.



Caution

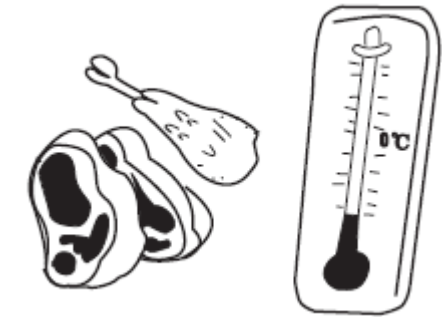
When the ambient temperature is 0 – 10°C in winter, the refrigerator chamber temperature is low and the temperature of lower part of refrigerator chamber is about 0°C, while vegetables, fruit, etc. shall be put into the upper part of refrigerator chamber to avoid frost damage.

Precautions for Refrigerating Food

Freezer is used to store food for a long time

Freezer has low temperature and can keep food in fresh state for a long time, thus, food shall be put into such space for long time storage, but the storage time indicated on the food package shall be followed.

Freshness period and guarantee period of various foods are as follows:



Food varieties	Freshness period (month)	Guarantee period (month)
Chicken, beef, mutton, shrimps	4	9
Dumpling, frozen stuffed-bun, steak, ice-cream bar	4	6
Cake, bread, meat slice, cheese	2	6
Crabs, seafood, sausage, ice cream	1	3

Refer to the instructions or special refrigeration manuals of manufacturers for details. Specific storage time depends on the food quality, pre-processing before refrigeration and different requirements of families on food quality.

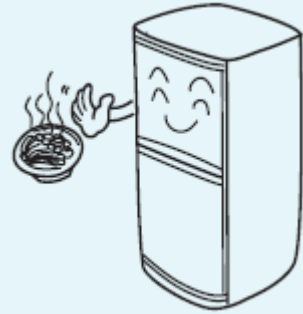
Do not exceed the freezing capacity value

Do not put too many fresh foods into the freezer for one time, which should not exceed the freezing capacity of refrigerator (as indicated on the nameplate).



Precautions for Freezing Food

Cool the hot food to room temperature before putting it into the freezer.



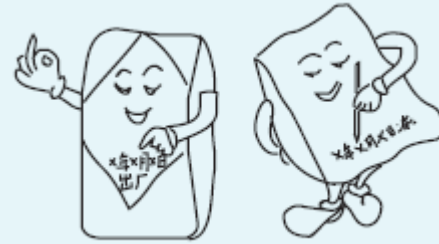
Divide food into small lots, which is easy for deep refrigeration and can better ensure quality for thawing and cooking; each lot shall not exceed 2.5kg.



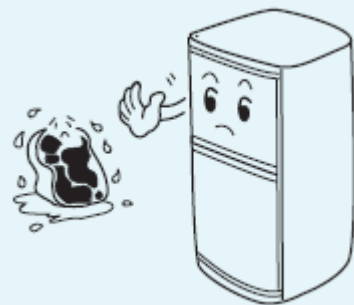
Pack the food and keep the exterior surface of package dry before refrigerating food to prevent freezing together. Package material shall be free from odor, air leakage, water permeation, non-poisonous and non-contaminating to prevent odor taint of food and quality decrease.



Mark the refrigerating date, period and name on the package of stored food according to different storage period of food to prevent expiry.



In principle, take out the food from the freezer for thawing according to the required amount of each time and thawed food shall not be refrigerated again, except that it has been processed into finished dish; or edible quality may be affected.

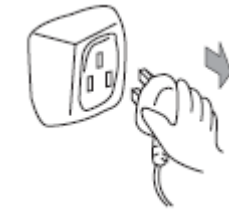


Cleaning

■ Cleaning

Since residual food in the refrigerator produces bad odor, the refrigerator must be regularly cleaned.

- Unplug the power plug before cleaning for the sake of safety.
- Dip soft towel or sponge with warm water (neutral detergent can be added) to clean refrigerator.



Prohibition

Do not clean refrigerator with scrubbing brush, wire brush, putty-powder, gasoline, lacquer thinner, acetone and other organic solvents, hot water, acid, alkali, etc.

- Clean the surface water of refrigerator with dry cloth.



Warning

Do not clean by water spraying to prevent impact on electrical insulation. Use dry rag to clean "switch", "lighting lamp" and other electrical components.

- Always pay attention to keeping sealing compound bar clean as it gets dirty easily.



Outage

■ Treatment in case of power-off

- Do not put in more food and open the refrigerator door after power-off.
- If power-off is known in advance, prepare more ice and use watertight vessel to contain the ice and put the vessel into the upper part of refrigerator chamber.



Caution

Freezer temperature rise resulting from power-off or other fault may shorten the storage period and edible quality of food.

■ Outage

- In case of outage of the refrigerator for a long time, unplug the power plug, cut the power off and clean the refrigerator according to the above method.
- During the outage period, keep the refrigerator door open to prevent bad odor from micro food waste



Caution

Generally, outage is not allowed to prevent impact on the service life of refrigerator.



Caution

Wait five minutes at least before re-plugging the refrigerator each time.

Outage

■ In case of being out for holiday

- In case of short holiday, take out the food that easily spoils, adjust the temperature to appropriate switch position, close the refrigerator door completely after confirmation.
- In case of being out for long holiday and cutting off power at home, take out the food, clean the interior after frost thaws; keep the refrigerator door open after drying to prevent bad odor from micro food waste.

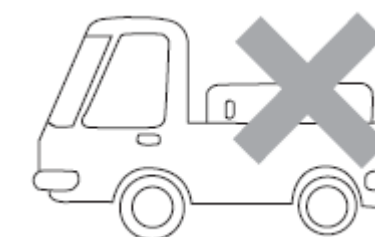
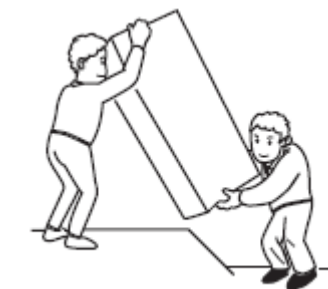


Warning

Deal with the scrapped equipment properly or hand it over to specialized personnel for treatment; do not desert at ease to prevent impact on environment or other hazard.

■ During handling

- Press the power button for 3 seconds to cut off power, unplug the power plug from the wall socket.
- Take out all food in the refrigerator.
- Fix the drawer shelf, crisper and other moving components with tape.
- Close the refrigerator door tightly and fix with tape to prevent opening during moving.
- The maximum inclination during moving refrigerator shall not exceed 45 degrees (the included angle with vertical direction) to prevent refrigeration system fault and impact on normal use.

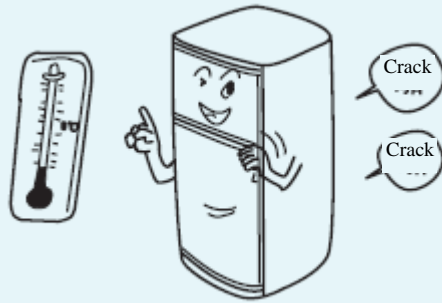


Prohibition

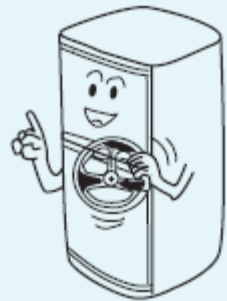
Never put down the refrigerator.

FAQ

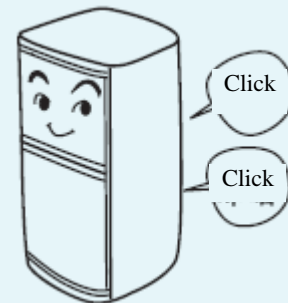
When the refrigerator is working, the evaporator and pipes will give out crack sound due to thermal expansion and contraction resulting from temperature fluctuation.



It is normal that compressor works for a long time when much food is placed in it or ambient temperature stays high.



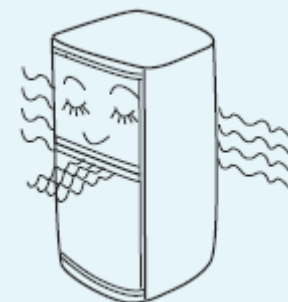
When the refrigerator is powered on/off, the electrical elements such as thermostat, starting relay and thermal protector will give out click sound due to operation.



Tiny drops of moisture may appear on the external surface and mullion of the refrigerator and can be swept with soft cloth.



It is normal that temperature of rear condenser and front mullion is high due to heat dissipation.

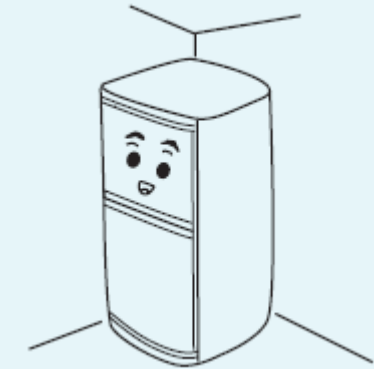


FAQ

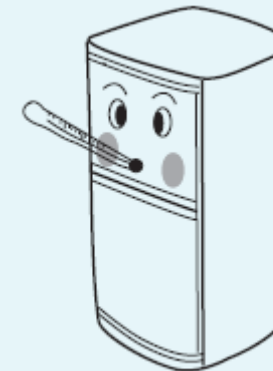
In case of first use or startup, the refrigerator will hum heavily due to unstable operating status. Such sound will decrease after stable operation.



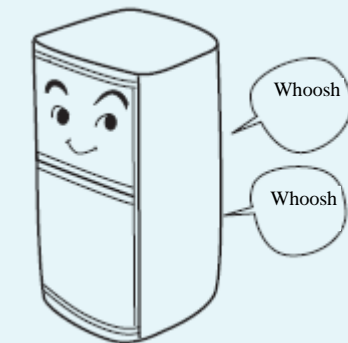
Vibration sound is related to location of the refrigerator. Slight vibration will result in much noise if the appliance is not leveled. Level the refrigerator for horizontal standing to reduce vibration sound.



In case of first use, this is normal that the refrigerator operates for a long time, and temperature of refrigerator body and compressor is high.

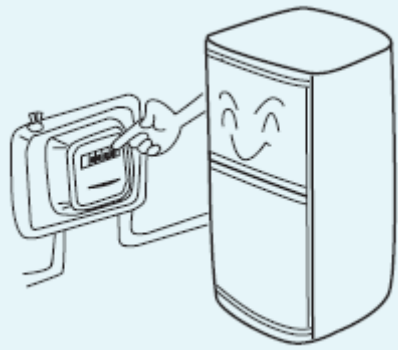


Jetting sound: Refrigerant used by the appliance is jetted into evaporator in liquid form, so continuous or intermittent whoosh sound will be given out.



FAQ

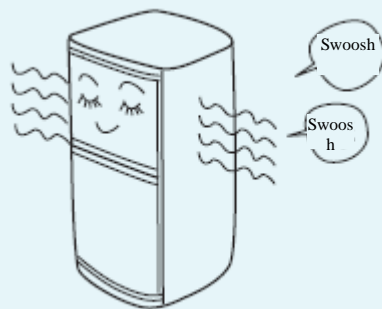
For technical data, the rated power consumption is measured in accordance with applicable national standards under the following circumstance: ambient temperature: 25°C, temperature of refrigerator chamber: 5°C, freezer temperature: -18°C, refrigerator door closed and stable operation for 24h. It is normal that actual power consumption is higher than the stated value when much food is placed in the refrigerator, ambient temperature is relatively high and refrigerator door is opened frequently.



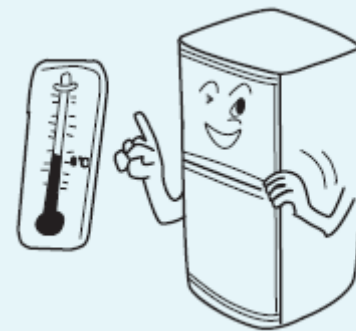
In case of high temperature ($\geq 32^{\circ}\text{C}$) and high humidity ($\geq 75\%$), large cold consumption will cause heavy frost on back-wall of the refrigerator chamber and shorter down time, which is normal phenomenon. To avoid the said phenomenon, gear the temperature control to low freeze in case of high temperature and humidity and seal the food containing high water content before storing. Never put much food into the refrigerator chamber and place a lot of food in it for one time. Decrease chances to open the door as many as you can.



Liquid refrigerant will sound like flowing water when it flows in the evaporator. Such sound usually gives out in the evaporator and compressor. The liquid propellant is in backflow after the refrigerator stops operating, continuous or intermittent rushing sound like flowing water will be heard.



Ambient temperature is low in winter, it is unnecessary to maintain the freezer under 0°C - 10°C , in this case, set 0°C for the refrigerator chamber as chilled compartment.



After-sales Service

If the refrigerator does not operate properly, follow the methods below for troubleshooting. If failing, contact the local after-sales service center for resolution. For this, detailed information like specifications, description, accessories and serial number shall be provided. (Refer to refrigerator nameplate for relevant information)

Make sure the following before service

The refrigerator does not operate



Is the refrigerator plugged in (including plug, socket, fuse, etc.); and is the power switch in "off" position?



Is supply voltage too low?

Refrigerator light does not work



Is the bulb is damaged?



Check power supply.

Temperature in refrigerator is relatively high



Temperature is set incorrectly.



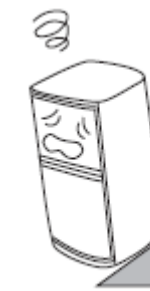
The door does not shut properly, or the door is opened frequently or for an extended period of time.

The refrigerator is in direct sunlight or closed to heating sources such as furnace or heating installation.

Are the louver of the cupboard blocked due to bad ventilator

Much noise

- Is the floor on which the refrigerator is located is flat?
- Is the refrigerator is located firmly?



The refrigerator has an odor

- Properly seal the odorous food.
- Check bad food.
- Interior cabinet needs cleaning.



After-sales Service

■ Make sure the following before service

Compressor runs too long

- This may be normal to maintain long operation in case of first use.
- A lots of food is placed into the refrigerator for cooling or freezing.
- Hot day.
- The refrigerator is opened frequently.
- The refrigerator does not shut properly.
- Adjust the temperature gear.
- Bad ventilation.

Moisture appears on mullion and door trim

- Moisture may occur in case of high temperature or humidity, dry it with soft cloth.
- Is temperature control is in high freeze?

Heavy frost on back-wall of the refrigerator chamber

- Temperature gear is adjusted improperly.
- The door does not shut properly.
- The door is opened frequently.
- Hot day.
- High humidity.



Water appears at the bottom of the refrigerator chamber

- The water outlet at the back-wall of the refrigerator chamber may be blocked, if so, clean it promptly.

Technical Data-Packing List

■ Technical data

Items	Star label	Weather type	Shock-prevention protection class	Total effective volume	Effective volume of freezer	Rated voltage		
Model	HF177	SN.N.ST.T	Class I	241 L	62 L	220V-240V		
Items	Rated frequency	Total input power	Refrigerant	Freezing capacity (kg/24h)	Weight (kg)	Overall dimensions D×W×H (mm)	Connection mode of Power cable	
Model	HF177	50 Hz	120W	R600a 64g	10	69	540x555x1770	Y

Note: Pursuant to applicable national standards, the ambient temperature ranges from 16°C - 43°C under type-T Weather.

Mia Cucina
KITCHENS BY TOWNGAS