

Mia Cucina

KITCHENS BY TOWNGAS

User Manual

Built-in Gas Domino Hob MY41C

Dear Customer

Thank you for choosing Mia Cucina products. These meticulously designed products, manufactured with the highest quality materials, have been carefully tested to satisfy all your cooking needs. Please read and follow the following instructions that ensure correct operation and optimal performance.

Contents

Important Safety Instructions	P. 1
Installation	P. 2
Operating Instructions	P. 3
Maintenance	P. 3
Trouble Shooting	P. 4
Specification	P. 5

Attention!

According to the Gas Safety Regulations of Hong Kong, any gas installation works including the installation of appliances and connection tubing, must be undertaken by registered gas installers who are registered for those appropriate classes and be employed by registered gas contractors.

Important Safety Instructions

The following instructions are very important to safe operation of gas appliance. Please read through them carefully. Please contact Towngas Company on 2880 6988 for enquiry and services.

Installation

1. Use approved gas tubing bearing EMSD approval marking (such as: 機電工程署批准 EMSD APPROVAL GTxxxx) for connection to appliance, or other appropriate methods accepted by EMSD.
2. Fix the gas governor (ELITRE EL125). Ensure that the pressure setting is 1.0kPa.
3. When installing the gas built-in appliance on top of stove cabinet, the cabinet should provide ventilation to ensure proper operation of appliance.
4. Do not store any flammable materials, sprays or pressurized containers inside the stove cabinet.
5. Install the appliance in a well-ventilated room.

Operation

1. In case of suspected gas leak, open windows and shut off gas meter valve. Do not operate any electric appliances or switches. Do not use any phones on site. Contact Towngas Emergency Hotline on 2880 6999 with a phone outside the premises.
2. Please use the appliance properly according to the operating instructions. The top glass may shatter if it is subject to overheat due to combustion problem, impact or scratch by other objects.
3. This appliance is designed for domestic use only. Do not use it for commercial purposes.
4. Do not use the appliance for any purposes other than cooking, e.g. drying clothes.
5. Open windows and turn on ventilation system before operating the appliance.
6. Do not allow kids to use appliance.
7. Do not leave operating appliance unattended.
8. Do not add aluminum discs to burners. This will incur combustion problem.
9. Ensure that burners are not deformed. Contact Towngas Company to replace the parts if deformation is found.
10. Before use, ensure the burners and pan supports are in correct position and are not tilted.
11. Ensure that the flame holes of burner bodies are free from water and dirt.
12. Do not put weight exceeding 10kg on each pan support.
13. Pan support is heavy. Do not drop it.
14. Do not press the knob for more than 10 seconds. If the burner is not ignited after 10 seconds, wait at least 1 minute before making further attempt.
15. Make sure that flame condition is uniform during operation.
16. Heed high temperature of top plate, burners and pan supports.
17. Do not use utensils of excessive size. When using small utensil, reduce flame power that flame does not escape from utensil bottom.
18. Ensure stability of utensil resting on pan support. Hold utensil firmly if it slips easily.
19. Do not fill water including soup ingredients over two-thirds of utensil volume when boiling water

- or soup. Spilled liquid of boiling will affect combustion and damage the appliance.
20. When the appliance is operating at low flame, do not open underneath cabinet door rapidly; otherwise, flame may be extinguished by air draught.
21. Always use pots with a cover and make sure that the handles of the pots are correctly positioned to avoid heating and collision of handles.
22. Do not use sprays near the appliance.
23. All knobs should be turned to "CLOSE" position after use.
24. The top panel of this cooker is made of ceramic glass which is safer than normal glass for this application. However, the following safety precautions should be noted in order to prevent the glass top panel from breaking:
 - Clean the burner body frequently to maintain a clear gas passage of flame holes. Clean and tidy up the burner after spillage of food and liquid once the appliance cools down.
 - Turn off the appliance immediately if abnormal noise is observed. Contact Towngas Company for inspection.
 - Do not impact the glass surface with hard objects, place heavy objects or place cooking utensils on the glass surface.

Maintenance

1. Check condition of gas hose regularly. Ensure that it is free from kink or crack. Contact Towngas Company to replace it if damage is found.
2. Allow the appliance to cool down completely before cleaning.
3. Wear gloves to protect the hands to prevent cutting by sharp edges when cleaning the appliance.
4. Do not open top plate for cleaning.
5. Dry burner caps and burner bodies completely with dry cloth after washing. Flame holes of burner body must be free from water lest combustion is affected.
6. Before and after use, notice the condition and cleanliness of burners. The following abnormal conditions will incur abnormal combustion and thus damage of the appliance. Ensure undertaking measures to rectify the problem accordingly.

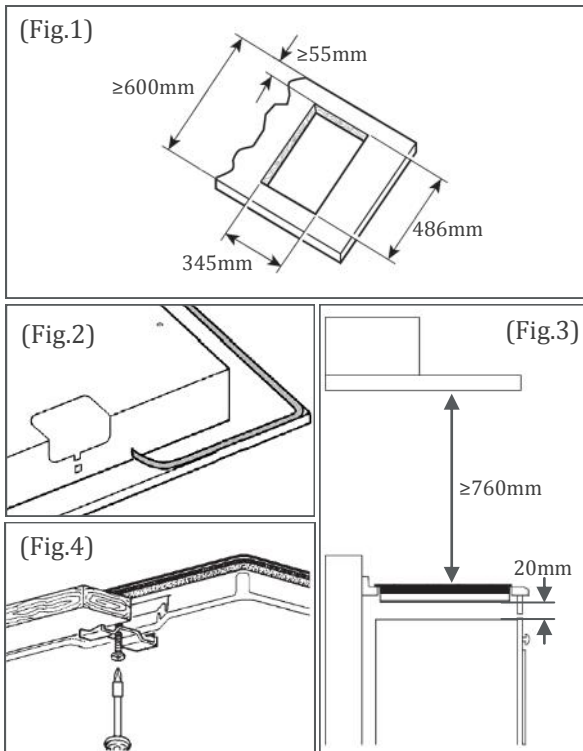
Abnormal Condition	Handling Measure
Burner cap and burner body are deformed.	Contact Towngas Company to replace the parts.
Burner cap and burner body are tilted.	Replace burner cap and burner body properly that burner cap and body aligns with burner base.
Flame holes of burner body are blocked by water.	Dry burner body with cloth and replace them properly.
Flame holes of burner body are blocked by dirt or cooking spillage.	Clean burner body with mild detergent and brush. Ensure that burner body are wiped dry before replacing them.

Installation

Installation Position

Install the appliance in a well-ventilated room and keep it away from any combustible or flammable objects such as paper, oil, sprays or pressurized containers. The appliance should be installed with a distance of more than 150mm away from surrounding combustible materials. Allow 760mm or more clearance above appliance.

Reserve cut hole on bench-top according to Fig.1. Depth of bench-top should be 600mm or more. Sealing gasket should be affixed around the entire periphery of top plate bottom of appliance (Fig.2). Keep a clearance from the surrounding objects according to Fig.3. The appliance should be fixed to the bench-top by mounting brackets (Fig.4).



If another appliance (e.g. dishwasher, washer, etc.) is to be installed under the gas appliance, keep a clearance of at least 20mm from the bottom of the appliance. If the installation instructions of the appliance underneath requires a different distance, adopt the larger value (Fig.3).

If an air-flow generating appliance or device (such as built-in oven, clothes dryer) is to be installed under the built-in gas appliance, a partition shelf must be added and sealed with silicon gel. This prevents air draught affecting the built-in hob operation.

Gas connection

Connect the gas appliance to the gas supply according to the prescribed standards in force, and ensure that the appliance matches with the type of gas supply. Furthermore, check that the supply pressure is 1.5 kPa and governor pressure is 1.0 kPa.

Attention:

- **The gas supply pipe connection of the appliance is ½" threaded male end. Use approved gas tubing for connecting to appliance. Flexible tubing must not be longer than 2000 mm. Once connection has been carried out, make sure that the pipe does not touch any moving parts and is not kinked or compressed.**
- **When the installation has been carried out, check gas soundness of piping. Never use naked flame for checking.**

Electrical connection

Power supply connection must be undertaken by qualified person. Prior to carrying out the electrical connection, please ensure that:

- The power supply follows what is indicated on the badge label of appliance;
- The power supply system provides effective earth connection, following the standards and law provisions in force. The earth connection is compulsory according to the law.

The power supply point should be a 13A socket in compliance with BS 1363. It should be easily accessible. Connect the power cable of appliance with 13A plug in compliance with BS 1363.

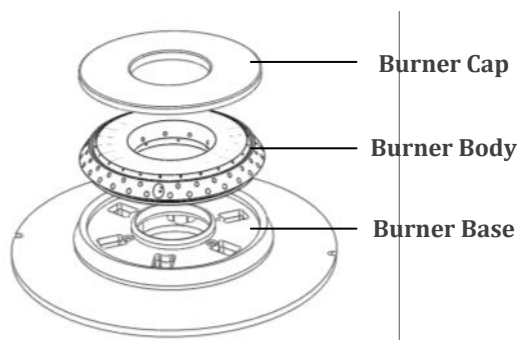
Insert power plug and turn on power.

If the power cable is damaged, contact Towngas Company to rectify it.

Operating Instructions

Positioning of Gas Burner

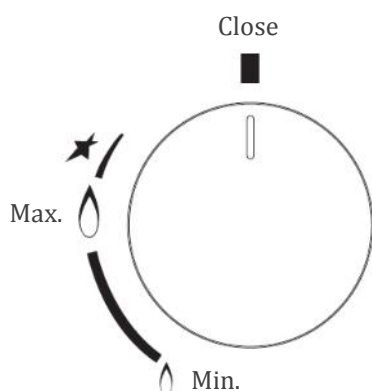
Burner is composed of burner cap, burner body and burner base. Place the burner cap and burner body onto the burner base without tilting.



Ignition of Gas Burner

Press and rotate the knob anti-clockwise to the maximum position. Electric sparks from ignition electrode ignite the burner. After ignition, keep pressing the knob for 5 seconds. After releasing the knob, make sure the flame persists.

Turn the knob to adjust flame power according to cooking needs. The minimum position is at the end of the anti-clockwise rotation direction.



Overheat protection device is equipped internally. If cooking spillage blocks burner and incurs abnormal combustion, flame will be extinguished automatically to ensure safety.

Attention: When the appliance is operating at low flame, do not open underneath cabinet door rapidly; otherwise, flame may be extinguished by air draught.

Maintenance

Prior to any cleaning and maintenance operation, disconnect the gas hob from the power supply. Allow the appliance to cool down before performing any maintenance and cleaning. Wear gloves to protect the hands while cleaning.

To maintain the appliance properly, follow the following instructions to clean it regularly:

- do not use steam cleaners for cleaning;
- the glass, metal and enameled parts must be cleaned with suitable non-abrasive and non-corrosive detergents. Avoid chlorine-based detergents (bleach, etc.);
- avoid leaving acid or alkaline substances on the gas hob (vinegar, salt, lemon juice, etc.);
- clean and tidy up the burner after spillage of food and liquid once it cools down;
- the burner caps and burner bodies (detachable parts of the burner) must be washed frequently with warm water and detergent, taking care to remove any grime and keep the flame holes of burner body away from blockage;
- dry the burner caps and burner bodies completely after wash and check that none of the flame hole of burner body clogged;
- refix burner cap and burner body onto burner base. Ensure that it is not tilted or reversed;
- in case that stains get stuck at safety sensor or ignition electrode, clean them with soft brush.

Trouble Shooting

If not effective after undertaking the following remedial actions, please contact Towngas Company on 2880 6988 for services.

Ensure that the appliance cools down before undertaking remedial measures.

Fault	Cause	Remedy
1. No ignition spark	Ignition electrode is wet.	Dry the electrode with tissue or dry cloth.
	Power is turned off.	Turn on power.
2. No flame	Gas meter valve and/or appliance isolation valve is turned off.	Open gas meter valve and/or appliance isolation valve completely.
	Burner is blocked by aluminum disc.	Remove aluminum disc.
	Ignition electrode is dirty.	Clean ignition electrode.
3. Flame does not persist	Safety sensor is dirty.	Clean safety sensor.
	Control knob is not fully pressed or is not turned to the maximum position. Pressing time is too short.	Fully press and turn the knob to maximum position. Keep pressing it for 5 seconds.
4. Flame off when using	Cooking spillage blocks burner and incurs abnormal combustion, or activates overheat protection device.	Allow burner to cool down and clean it, Restart ignition.
	Small flame is blown off by wind, activates the flame failure safety device.	Wait for several seconds and restart ignition.
5. Yellow flame	Burner cap and burner body has dirt.	Wash burner cap and burner body in warm water with detergent. Dry it and place it back at correct position.
6. Unstable flame	Deformation of burner.	Contact Towngas Customer Services Hotline to replace the parts.
	Incorrect placement of burner cap and burner body.	Refix burner cap and burner body onto burner base. Ensure that it is not tilted.

Specification

Model	MY41C	
Gas Type	HONG KONG TOWN GAS	
Burner Number	1	
Heat Input	8.1 kW	
Gas Supply Pressure	1.5 kPa	
Governor Outlet Pressure	1.0 kPa	
Gas Inlet Connection	1/2" B.S.P (Male)	
Dimensions (Height x Width x Depth)	To Bench Top	130 mm x 380 mm x 520 mm
	To Top Plate	137 mm x 380 mm x 520 mm
	To Pan Support	205 mm x 380 mm x 520 mm
Ceramic Glass Thickness	4mm	
Glass Top Dimensions (Width x Depth)	380 mm x 520 mm	
Cut-out Dimensions (Width x Depth)	345 mm x 486 mm	
Weight	13 kg	
Flame Failure Safety Device	Thermoelectric Type	
Overheat Protection Device	Bi-metal Thermal Switch	
Ignition Device	Electric Spark Generator	
Power Supply	220V AC (50 Hz)	

使用說明書

嵌入式氣體煮食爐

MY41C

尊敬的客戶

多謝選用 Mia Cucina 的產品。本產品經精心設計，採用優質材料生產以及通過嚴謹測試，定能滿足您的烹飪需要。為確保爐具正確使用及維持最佳效能，請細閱及遵循以下說明。

目錄

重要安全指示	第 1 頁
安裝說明	第 2 頁
操作指示	第 3 頁
保養	第 3 頁
故障處理	第 4 頁
技術規格	第 5 頁

注意!

根據香港氣體安全規例，任何氣體裝置工程，包括爐具和接駁喉管的安裝，必須由註冊氣體裝置技工執行，而該技工已於相關的氣體工程類別註冊及受聘於註冊氣體工程承辦商。

重要安全指示

以下指示對氣體爐具的安全操作十分重要，請詳細閱讀。如有查詢或需要維修服務，請聯絡煤氣公司，電話：2880 6988。

安裝

1. 使用認可印有機電工程署批准標記（例如：機電工程署批准 EMSD APPROVAL GTXXXX）的氣體接駁喉管連接爐具，或使用機電工程署認可的其他恰當方法。
2. 必須安裝穩壓器(ELITRE EL-125)，並確定壓力設定為 1.0 千帕。
3. 當在廚櫃面安裝嵌入式氣體爐具時，廚櫃須提供通風口，以確保爐具操作正常。
4. 不要將易燃物料、噴霧及壓縮容器置於廚櫃內。
5. 爐具須安裝在空氣流通之房間內。

使用

1. 當懷疑洩漏氣體時，將窗戶打開，以及關閉煤氣錶閥。切勿操作任何電器或電掣開關。切勿在現場使用任何電話。在現場以外的地方，致電煤氣公司緊急事故熱線，電話：2880 6999。
2. 請參照說明書內指引正確使用爐具，如爐面玻璃因燃燒不良而過熱，或曾受撞擊或刮花，玻璃有可能爆裂。
3. 爐具只供家用，切勿用於工商業用途。
4. 除煮食外，切勿使用爐具作其他用途，例如烘乾衣物。
5. 使用爐具前，請開啟窗戶及排氣系統。
6. 不可讓兒童使用爐具。
7. 切勿讓爐具在無人看管下運作。
8. 切勿在爐頭加上錫紙碟，這會引致燃燒問題。
9. 確保爐頭沒有變形，如有異常，請聯絡煤氣公司安排更換。
10. 使用前，確保爐頭和爐架擺放正確，沒有傾斜。
11. 確保爐頭身的火孔沒有被水或污漬堵塞。
12. 在一個爐架上，切勿放置超過 10 公斤的重量。
13. 爐架很重的，切勿掉下。
14. 切勿按下點火旋鈕超過 10 秒。如爐頭於 10 秒後仍未燃點，請等待最少 1 分鐘，才再次燃點。
15. 確保使用時火焰平均。
16. 注意爐面、爐頭及爐架的高溫。
17. 切勿使用過大或過小器皿。使用細小器皿時，請將火力調低，避免火焰超出器皿底部。
18. 確保器皿穩定地放在爐架上，如器皿容易滑動，必須緊握它。
19. 燒開水或煮湯時，注入的水量連湯料不可超過器

皿容量 3 分之 2；否則溢出液體會影響燃燒和損壞爐具。

20. 使用小火時，不應急速打開爐具下方的廚櫃門，以免氣流弄熄爐火。
21. 烹調時，請盡量蓋上鍋具。而鍋具的手柄亦應轉向適當位置，避免受熱或碰撞。
22. 勿在爐具附近使用噴霧產品。
23. 使用後，應將所有旋鈕設於「關閉」位置。
24. 此煮食爐的面板為陶瓷玻璃製造，較一般玻璃安全，但仍須注意以下事項，避免玻璃面板爆裂：
 - 經常清潔爐頭身，以保持火孔暢通，如滾瀉食物及汁液，應在爐具冷卻後儘快清潔爐頭。
 - 如爐具發出不尋常聲音，應立即停用，並聯絡煤氣公司進行檢查。
 - 切勿以硬物撞擊玻璃面板、將重物放置於玻璃面板或將器皿放置於玻璃面板上。

保養

1. 定期檢查氣體喉管狀況，確保沒有扭結或裂縫，若發現損壞，請聯絡煤氣公司更換喉管。
2. 讓爐具完全冷卻後，才可進行清潔。
3. 進行清潔時，應穿上保護手套避免割傷。
4. 切勿打開面板進行清潔。
5. 清洗爐頭蓋及爐頭身後，用乾布將爐頭完全抹乾，爐頭身的火孔不可留有水份，以免影響燃燒。
6. 使用前和使用後，注意爐頭的狀況和清潔。以下不正常狀況會產生燃燒不良，進而引致爐具損壞。請確保採取相應措施，糾正有關問題。

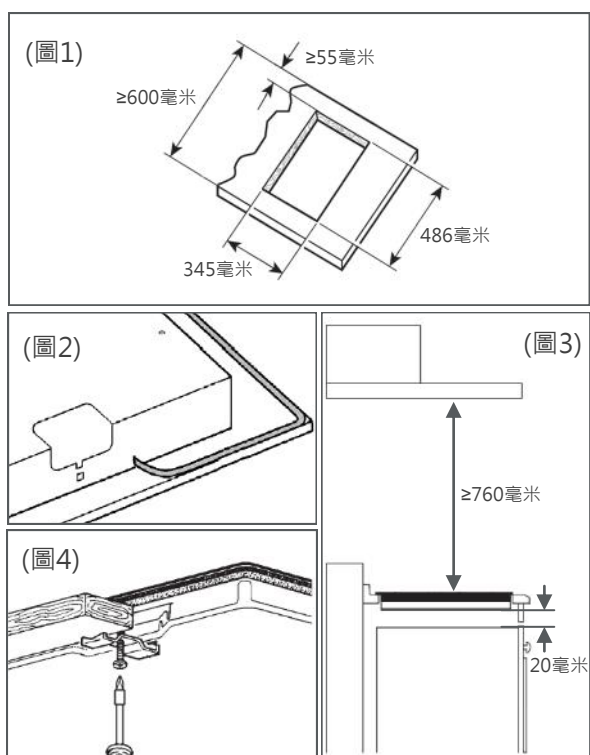
不正常情況	處理措施
爐頭蓋及爐頭身變形	聯繫煤氣公司更換零件。
爐頭蓋及爐頭身傾斜	將爐頭蓋及爐頭身重新放好。爐頭蓋及爐頭身需與爐頭座對齊。
爐頭身火孔被水堵塞	用布抹乾爐頭身，然後重新放好。
爐頭身火孔被污積或溢出物堵塞	用溫和洗滌劑和刷子清潔爐頭身，放回爐頭座之前，確保將爐頭身抹乾。

安裝說明

安裝位置

爐具須安裝在空氣流通之房間內，附近不可存放易燃物料（如紙張、油類等）、噴霧及壓縮容器。爐具與周圍可燃燒物料應保持 150 毫米以上的距離。爐具上方須保留最少 760 毫米空間。

依照圖 1 在枱面預留開孔，枱面深度不少於 600 毫米，請於面板底部整個邊緣貼上密封膠條（圖 2）。安裝時，請確保爐具依照圖 3 所示，與附近的物件保留相應距離。放置爐具於枱面的開孔後，須安裝固定碼（圖 4）以固定爐具於枱面上。



若在嵌入式氣體爐具下安裝其他器具（如洗碗碟機、洗衣機等）。請保留最少 20 毫米的距離。若其他器具的安裝指引要求不同的間距，應採用較大者（圖 3）。

若在嵌入式氣體爐具下方設有會產生氣流的爐具或設備（例如：焗爐、乾衣機），必須加裝隔層板並以矽膠密封所有縫隙，避免氣流影響氣體煮食爐運作。

氣體接駁

根據現行指定的標準，將氣體爐具連接供氣設施上，接駁前確保爐具符合所供應之氣體類型。此外，檢查供氣壓力是否在 1.5 千帕及穩壓器的壓力設定在 1.0 千帕。

注意：

- 爐具的氣體接頭為 1/2 吋英制陽螺紋。使用已批准的氣體喉管接駁爐具。氣體軟喉長度，不可超過 2000 毫米。安裝後，確保喉管沒有接觸任何活動部件或被扭曲和擠壓。
- 安裝完成後，檢查接駁後的氣密性。切勿使用明火作檢查。

電源接駁

電源接駁必須由合資格人員執行。進行電源接駁前，請確保：

- 供電電壓必須符合爐具規格銘牌上的要求；
- 供電系統必須配有有效的地線連接，並符合現行標準及法規。根據法律，地線連接屬強制性要求。

供電插座須符合 BS 1363 的 13 安培插座，並設於容易觸及的位置。爐具電源線須連接符合 BS 1363 的 13 安培插頭。

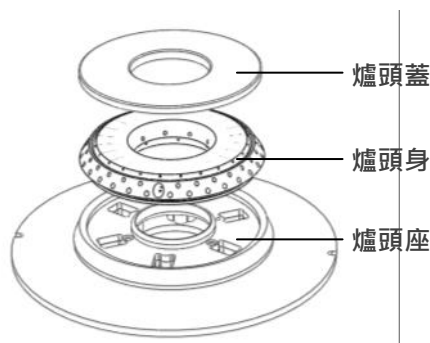
插入插頭，開啟電源。

如電源線受損，聯絡煤氣公司進行維修。

操作指示

爐頭放置

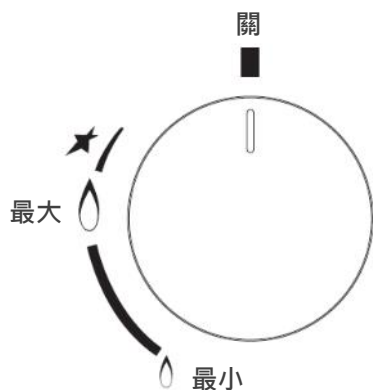
爐頭分別由爐頭蓋、爐頭身及爐頭座組成。將爐頭蓋及爐頭身放置於爐頭座上。放置時不要傾斜。



點燃爐頭

按下旋鈕，以逆時針方向轉動旋鈕至最大火力位置，保持按著旋鈕 5 秒，電極會發出火花點着爐頭，放開旋鈕後，確定火焰維持。

爐頭點燃後，按烹調所需調節火力大小，最小火力位置在逆時針旋轉方向的末端。



內置防高溫保護裝置，如煮食溢出物阻塞爐頭而引致不正常燃燒，爐火會自動熄滅，確保安全。

注意：使用小火時，不應急速打開爐具下方的廚櫃門，以免氣流弄熄爐火。

保養

進行任何保養及清潔前，必須關上電源，並待爐具完全冷卻後才進行清潔。清潔時，亦應配戴手套保護雙手。

為妥善保養爐具，遵照以下指示定期清潔爐具：

- 請勿使用蒸氣清潔爐具；
- 請使用適當清潔用品清潔玻璃、金屬及搪瓷部份。使用非研磨及非腐蝕性的清潔劑，避免使用含氯清潔劑（如漂白劑等）；
- 避免酸性或鹼性物質（如醋、鹽水、檸檬汁等）殘留在爐具；
- 煮食時如有液體溢出，應待爐頭冷卻後盡快清理；
- 定期使用暖水及清潔劑清洗爐頭蓋及爐頭身（爐頭的可移除部份），將污漬去除，並保持爐頭身的火孔暢通；
- 清潔後須完全抹乾爐頭蓋及爐頭身，並檢查爐頭身的火孔未被堵塞；
- 將爐頭蓋及爐頭身正確放回爐頭座，不可傾側或反轉；
- 定期檢查安全感應頭或點火電極，如有污物黏附，可使用軟刷將污物去除。

故障處理

如採取下列補救措施後仍然無效，請致電煤氣公司安排維修，電話：2880 6988。

確保爐具完全冷卻後，才進行任何故障處理。

故障	原因	處理方法
1. 沒有點火火花	點火電極濕了。	以紙巾或乾布抹乾點火電極。
	未開啟電源。	開啟電源。
2. 沒有爐火	仍未開啟煤氣錶閥及 / 或爐具切斷閥。	完全開啟煤氣錶閥及 / 或爐具切斷閥。
	錫紙碟阻塞爐頭。	除去錫紙碟。
	點火電極有污垢。	清理點火電極。
3. 不能保持爐火	安全感應頭有污垢。	清理安全感應頭。
	未按盡旋鈕或旋鈕非在最大火力位置。 按下時間太短。	轉動旋鈕至最大火力位置，完全按下旋鈕，並維持5秒。
4. 使用中熄火	煮食溢出物阻塞爐頭，而引致不正常燃燒，或啟動了防高溫保護裝置。	待爐頭冷卻後清理污漬，然後重新點火。
	爐火過弱被風吹熄，啟動了防漏熄火安全裝置。	等待1分鐘，重新點火。
5. 黃火	爐頭蓋及爐頭身有污垢。	以暖水和洗潔劑清洗爐頭蓋及爐頭身，抹乾及放好後，重新
6. 火焰不穩定	爐頭變形。	聯繫煤氣公司更換零件。
	爐頭蓋及爐頭身擺放不正確。	重新將爐頭蓋及爐頭身正確放於爐頭座上，確保沒有傾斜。

技術規格

型號	MY41C	
氣體種類	香港煤氣	
爐頭數目	1	
輸入熱量	8.1 千瓦	
供氣壓力	1.5千帕	
穩壓器出口壓力	1.0千帕	
氣體入口接駁	1/2吋 英制陽螺紋	
整體尺寸 (高 x 寬 x 深)	底盤至廚檯面	130毫米 x 380毫米x 520毫米
	底盤至爐面	137毫米 x 380毫米x 520毫米
	底盤至爐架	205毫米 x 380毫米x 520毫米
陶瓷玻璃厚度	4毫米	
玻璃面板尺寸 (寬 x 深)	380毫米 x 520毫米	
開孔尺寸 (寬 x 深)	345毫米 x 486毫米	
重量	13 千克	
熄火安全裝置	熱電偶式	
防高溫保護裝置	雙金屬溫度開關	
點火裝置	電動火花產生器	
電源供應	220伏特交流電 (50赫)	

Mia Cucina
KITCHENS BY TOWNGAS