

Mia Cucina



KITCHENS BY TOWNGAS



嵌入式煤氣焗爐  
Built-in Gas Oven

LYV60



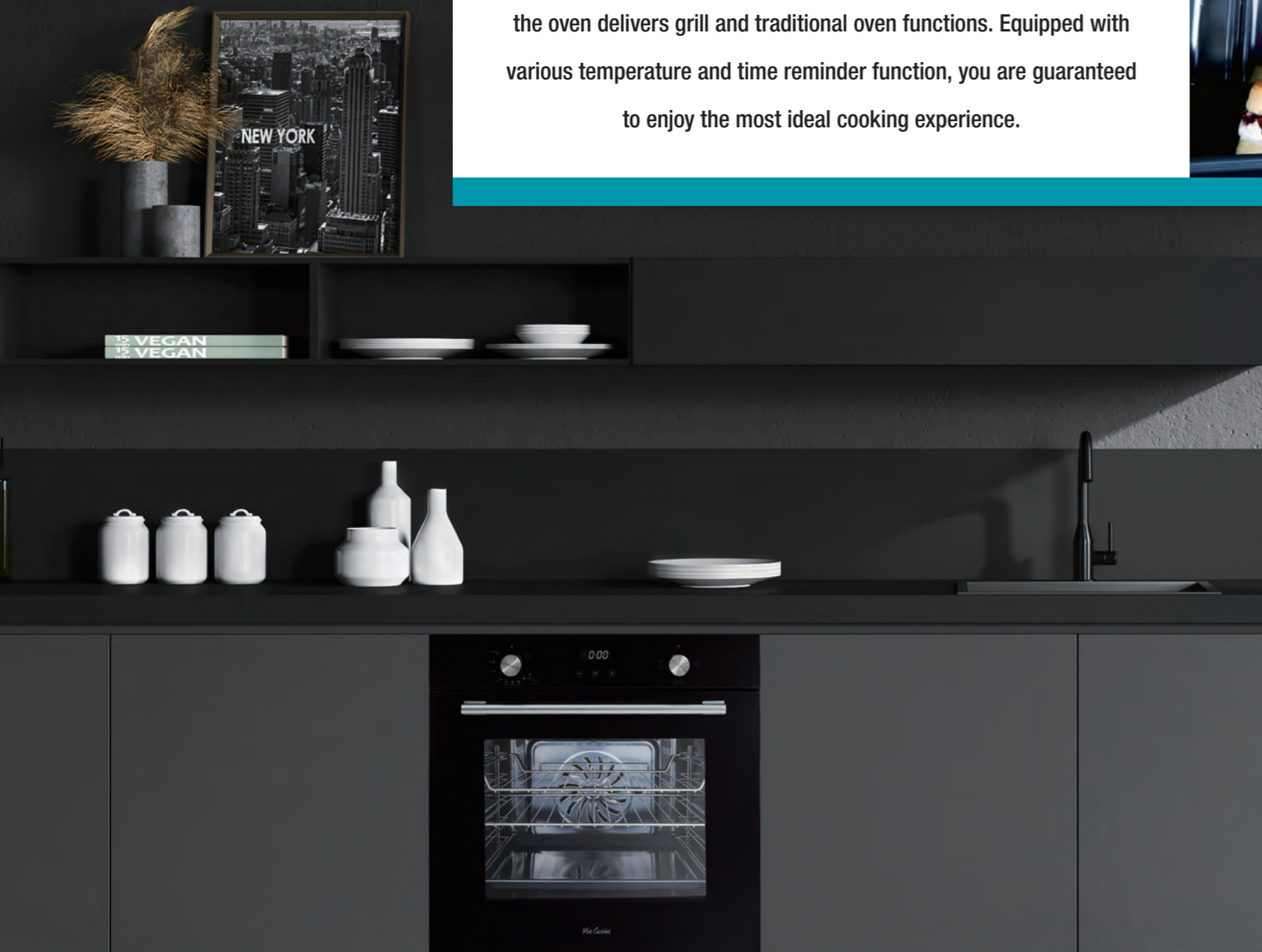
Mia Cucina 全新意大利嵌入式煤氣焗爐集烤焗於一身，利用內置明火熱力，有效保留食物色香味；備有多段溫度控制及時間提示功能，讓您發揮無限煮意，從此令烹調變得更輕鬆。

Made in Italy, the brand-new Mia Cucina built-in gas oven guarantees optimal culinary results. Using flame cooking for added practicality, the oven delivers grill and traditional oven functions. Equipped with various temperature and time reminder function, you are guaranteed to enjoy the most ideal cooking experience.



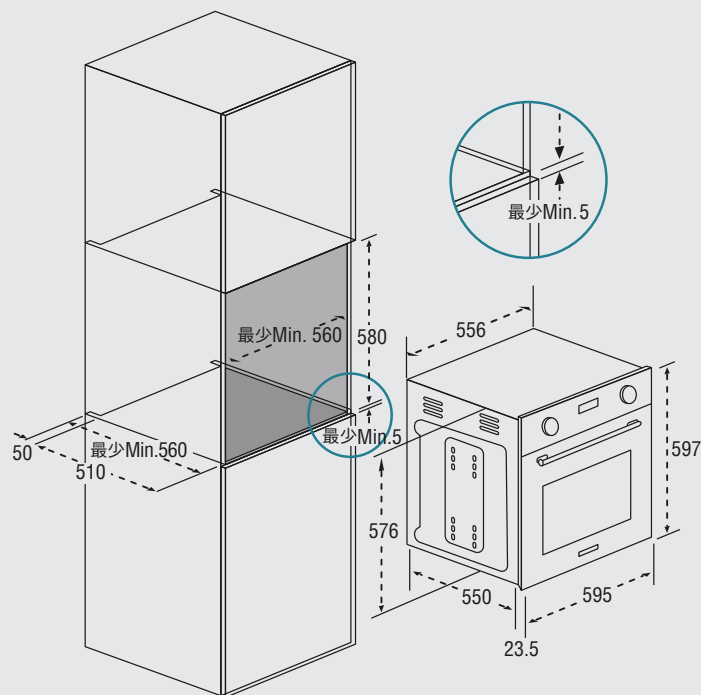
- 標準 60 厘米尺寸煤氣二合一烤焗爐
- 57 公升特大容量及 3 層隔熱玻璃
- 自動旋轉烤叉及麵糰發酵功能
- 內置對流風扇，提升煮食效果
- 時間提示功能
- LED 屏幕自動顯示剩餘烹調時間

- 2-in-1 combination gas oven in 60cm high
- 57L capacity and triple insulating glass door
- Rotary spit and proving setting function
- Built-in convection fan for better cooking performance
- Time reminder function
- LED display clearly shows remaining cooking time





種類 Type	多功能煤氣焗爐 Multifunction Gas Oven
型號 Model Number	LYV60
面板顏色及物料 Surface Colour and Material	黑色玻璃 Black Glass
把手 Handle	不銹鋼 Stainless Steel
淨容量 (公升) Net Capacity (L)	57
層架數量 Number of Shelf Levels	5
控制面板 Control Panel	觸控及旋轉鈕掣 Touch and rotary knob
烹調模式數量 Total Number of Cooking Functions	2
特別模式 Special Function	發酵 Proving
用氣量 - 焗 / 燒烤 (千瓦) Gas Consumption - Oven / Grill (kW)	2.5 / 2.2
最高溫度 (攝氏) Maximum Temperature (°C)	240
配件 Accessories	旋轉烤叉、焗盤及烤架 Rotary spit, tray and grid
整體尺寸 高 x 闊 x 深 (毫米) Dimensions H x W x D (mm)	597 x 595 x 573.5
開孔尺寸 高 x 闊 x 深 (毫米) Cut-out Dimensions H x W x D (mm)	580 x 560 x 560
電源供應 (伏特 / 赫) Electric Supply (V/Hz)	220-240 / 50
保險絲額定值 (安培) Fuse Rating (A)	13
電線長度 (毫米) Cable Length (mm)	1900



尺寸 Dimension: 毫米 mm

各煤氣客戶中心或尖沙咀 Mia Cucina 陳列室有售  
Available at any Towngas Customer Centre or Tsim Sha Tsui Mia Cucina showroom

24 小時尊貴客戶服務熱線  
24-hour premium service hotline **2232 1232**

3 年包零件免費保養 \*

\* 免費維修保養及送貨安裝服務只適用於住宅用戶。在馬灣、大嶼山 (東涌除外) 及離島 (長洲 / 梅窩 / 南丫島 / 坪洲) 提供維修保養及送貨安裝服務須收取附加費。所有行使禁區紙的地區則不獲提供維修保養及送貨安裝服務。香港中華煤氣有限公司不會為本公司產品因不適當安裝、操作、濫用或錯誤使用等情況而引致的損壞提供三年保養服務 (包括免費更換零件)。免費保養服務不包括損耗配件 (如爐架、溢湯盤、爐蓋及爐環等)。新更換爐具零件 (不包括損耗配件) 的保養期延長至 24 個月。

3-year free warranty for spare parts\*

\* Free warranty, delivery and installation servicing only for residential customers only. For Ma Wan, Lantau Island (except Tung Chung), and outlying islands (Cheung Chau, Mui Wo, Lamma Island and Peng Chau), surcharge will be applied. Warranty, delivery and installation servicing will not be provided for all restricted areas. The Hong Kong & China Gas Co. Ltd. will not provide the 3-year warranty service (including free spare parts replacement) to any product damages resulting from improper installation, mishandling, abuse of use and misuse of our Company products. This warranty service does not cover consumable parts (e.g. pan support, drip pan, burner cap and burner ring). Warranty of newly replaced spare parts (except consumable parts) of Towngas appliances is extended to 24 months.



Total Kitchen Solution  
一站式廚房設計服務

